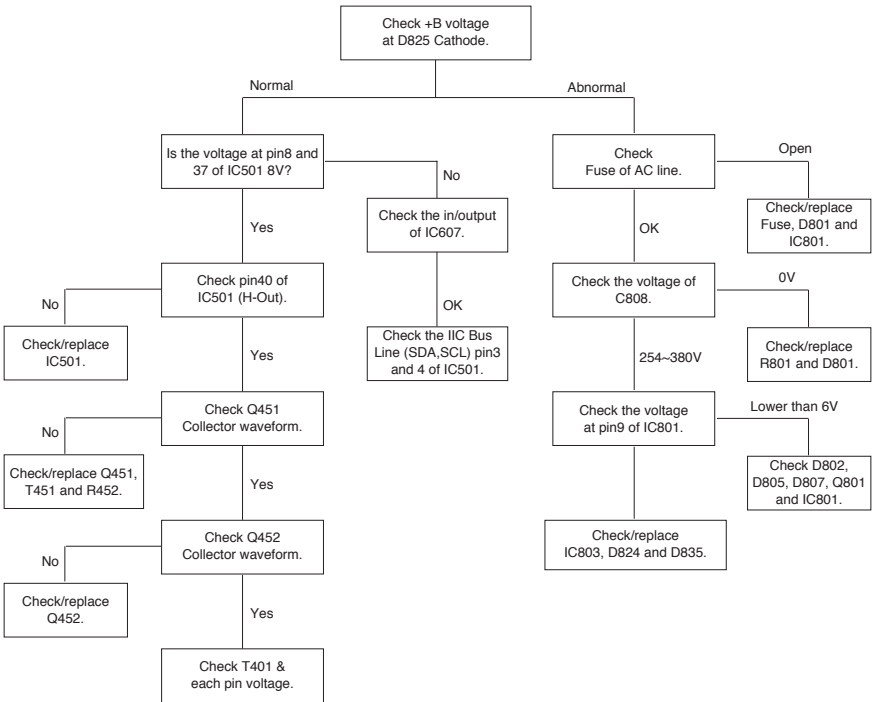


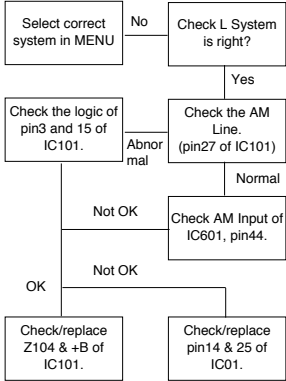
# Troubleshooting Guide

NO RASTER

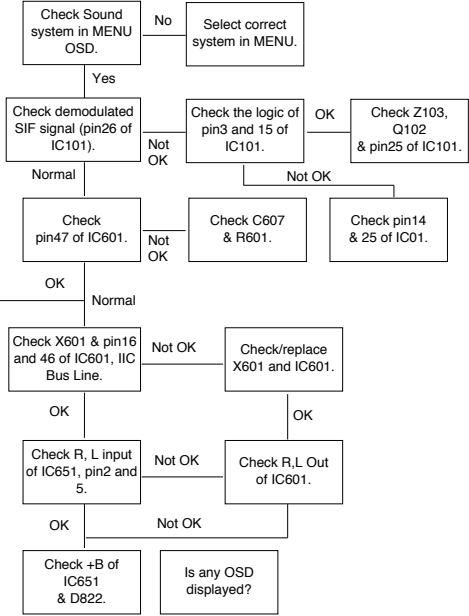


**NO SOUND  
(PICTURE OK)**

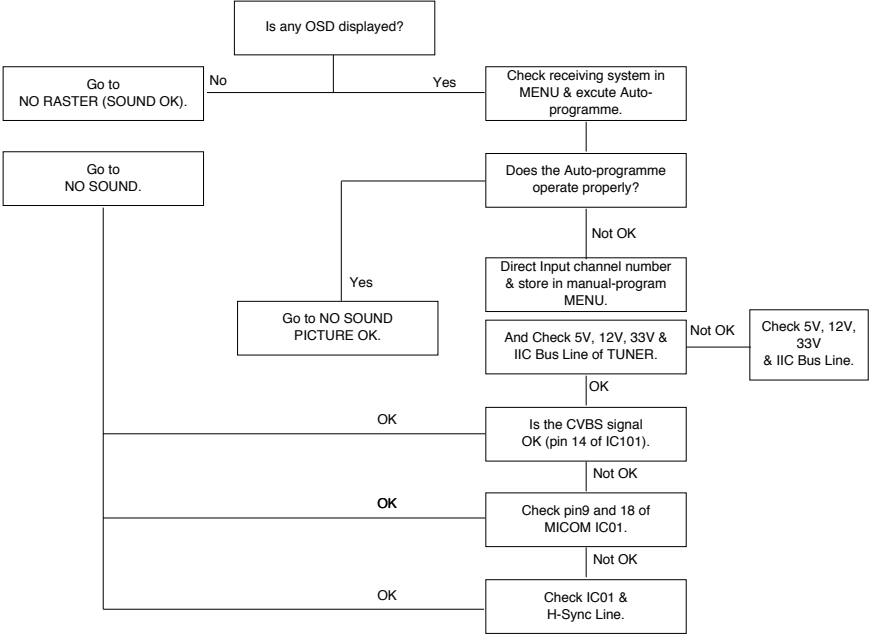
**AM NO SOUND**



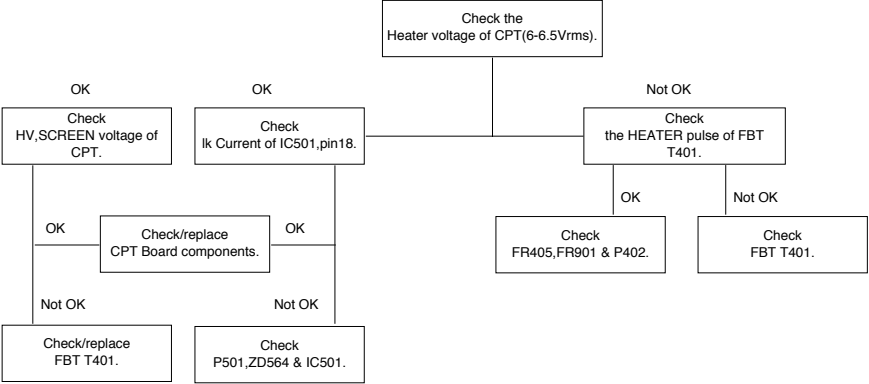
**NICAM,FM NO SOUND**



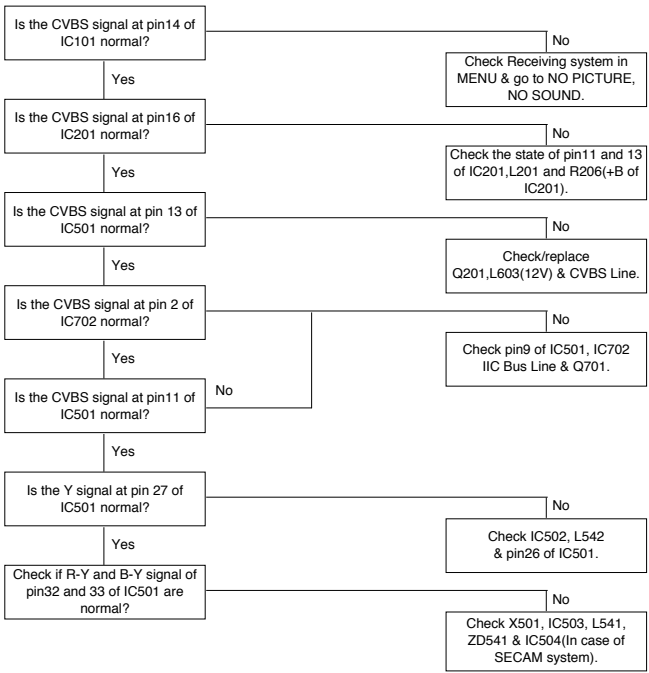
**NO PICTURE  
NO SOUND**



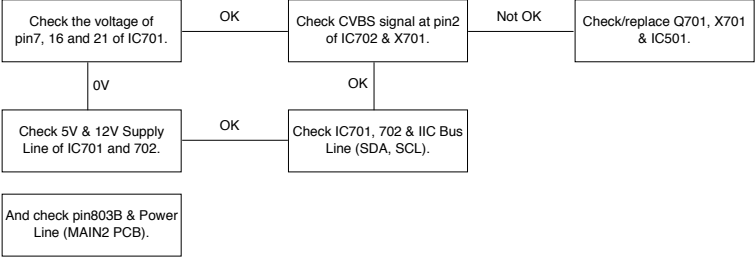
**NO RASTER  
(SOUND OK)**



**NO PICTURE  
NO COLOR**



NO TELETEXT



# ADJUSTMENT INSTRUCTIONS

## ■ Safety Precautions

1. It is safe to adjust after using insulating transformer between the power supply line and chassis input to prevent the risk of electric shock and protect the instrument.
2. Never disconnect leads while the TV receiver is on.
3. Don't short any portion of circuits while power is on.
4. The adjustment must be done by the correct appliances. But this is changeable in view of productivity.
5. Unless otherwise noted, set the line voltage to 230Vac±10%, 50Hz.

## ■ Test Equipment required

1. RF signal generator (with pattern generator)
2. DC Power Supply
3. Multimeter (volt meter)
4. Oscilloscope
5. Color analyzer

System	Frequency	Modulation	Output level	Adjust
B/G/SECAM-L	38.9MHz	OFF	10mVp-p	L107
SECAM-L'	33.9MHz	OFF	10mVp-p	VR102

(Table 1)

## ▲ SECAM-L' Adjustment

**NOTE :** This adjustment should be performed after PIF adjustment.

**Test Point** : TP1

**Adjust** : VR102

- 1) Turn on S1 and S3 and off S2.
- 2) Adjust VR101 so that the DC voltage may be indicated  $3.1 \pm 0.1V_{dc}$ .

Main Board(Component side view)

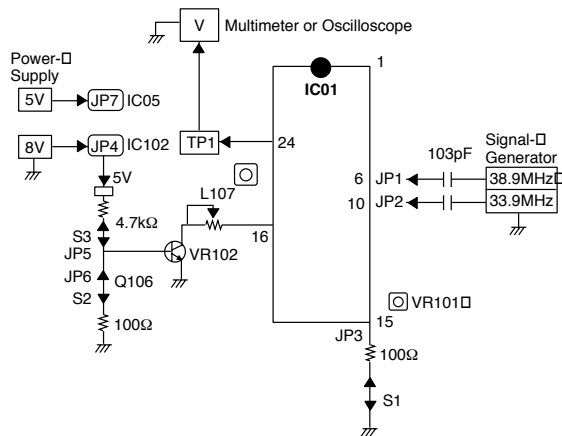


Fig. 1 : Connection Diagram of Equipment for PIF Adjustment

## ▲ PIF (Picture Intermediate Frequency) Adjustment

**Test Point** : TP1

**Adjust** : L107

- 1) Connect the measuring equipment to the Main Board as shown in Fig.1.
- 2) Set RF frequency and output level of RF SIGNAL GENERATOR as shown in Table 1.

### ▲ Vertical/Horizontal/E-W (East-West)

#### Adjustment (LINE SVC 1)

**NOTE :** These adjustments are already aligned at the time of manufacture for optimum performance. Readjustment of them should not be necessary unless IC02 (EEPROM) is defective. Because all the information of these adjustment are memorized in that IC.

#### Adjustment Procedures

- 1) Tune the TV set to receive a digital circle pattern unless otherwise noted.
- 2) Press OK button on Control Board continuously and OK button on remote controller then you can find On Screen Display. (Refer to the following Fig.3).
- 3) Press PR+ or PR- button for desirous function adjustment.
- 4) Press VOL+ or VOL- button for correct picture.
- 5) Press OK button to memorize all the adjusted data.
- 6) After finishing adjustment, press TV/AV button on remote controller then TV is changed from SVC mode to normal mode.

[LINE SVC1]	1
	CH5
VL	31 EW 40
VH	42 EP 44
SC	31 EC 31
VS	33 ET 31
HS	20 50HZ*

\*: This is only displayed according to receiving system.

- [ PAL/SECAM System : 50Hz
- [ NTSC System : 60Hz

Fig. 3

#### VL--(Vertical Linearity)

Adjust so that the boundary line between upper and lower half is in accord with geometric horizontal center of the CPT.

#### VH--(Vertical Height)

Adjust so that the circle of a digital circle pattern may be located within the effective screen of the CPT.

#### SC--(Vertical "S" correction)

Adjust so that all distance between each horizontal lines are to be the same.

#### VS--(Vertical Shift)

Adjust so that the horizontal center line of a digital circle pattern is in accord with geometric horizontal center of the CPT.

#### EW--(Horizontal Width)

Adjust to that a digital circle pattern looks like exact circle.

#### EP--(East-west Parabola)

Adjust so that middle portion of the outermost left and right vertical line looks like parallel with vertical lines of the CPT.

#### EC--(East-west Corner)

Adjust so that the vertical line at every 4 corners of the screen looks like parallel with the vertical lines of the CPT.

#### ET--(East-west Trapezium)

Adjust to make the length of top horizontal line same with it of the bottom horizontal line.

### ▲ White Balance Adjustment.(LINE SVC 2)

**NOTE :** This adjustment should be performed after screen voltage adjustment.

- 1) Tune the TV set to receive an 100% white pattern.
- 2) Press Number 2 button on remote controller in the SVC Mode (press OK button on control board continuously and OK button on remote controller) then you can find On Screen Display. (Refer to the following Fig.4).
- 3) Press PSM (RED) button on remote controller. (Standard picture)
- 4) Press PR+ or PR- button for desirous function adjustment.
- 5) Adjust VOL+ or VOL- button for Gg31.
- 6) Adjust VOL+ or VOL-button in each status of "Rg--"/"Bg--" for X=288±8, Y=295±8 with color analyzer (color temperature 9000°K).



## ▲ RF AGC (Automatic Gain Control) Adjustment

**Test Point** : TP2 (J8) or Observing Display

**Adjust** : VR101

The RF AGC control (VR101) was aligned at the time of manufacture for optimum performance over a wide range conditions. Readjustment of VR101 should not be necessary unless unusual local conditions exist, such as ;

- 1) Channel interference in a CATV system.
- 2) Picture bending and/or color beats, which are unusually due to excessive RF signal input when the receiver is too close to a transmitting tower or when the receiver is connected to an antenna distribution system where the RF signal has been amplified. In this case, the input signal should be attenuated (with pad or filter) to a satisfactory level.
- 3) Picture noise caused by "broadcast noise" or weak signal. If the broadcast is "clean" and the RF signal is at least 1mV (60dBu), the picture will be noise free in any area.

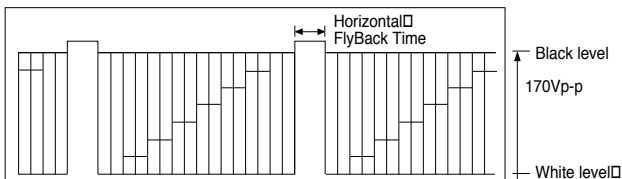
Adjusting the VR101(RF AGC) control to one end of rotation will usually cause a relatively poor signal to noise ratio; Adjusting to the other end of rotation will usually cause a degradation of over load capabilities resulting in color beats or adjacent channel interference. For best results, adjust the VR101 control while performing on all over local channels, or the voltage at TP2 will be  $6.5 \pm 0.1$ Vdc in RF level  $60 \pm 1$ dBuV.

## ▲ Screen Voltage Adjustment

**Test Point** : RK (Red Cathode of CPT Board)

**Adjust** : Screen Control of FBT

- 1) Tune the TV set to receive a digital pattern.
- 2) Press PSM (RED) button on remote controller. (standard picture)
- 3) Connect the probe of oscilloscope to the RK (Red Cathode) of CPT Board.
- 4) Adjust Screen Volume of FBT so that the waveform is the same as below Fig. 6.



## ▲ Focus Adjustment

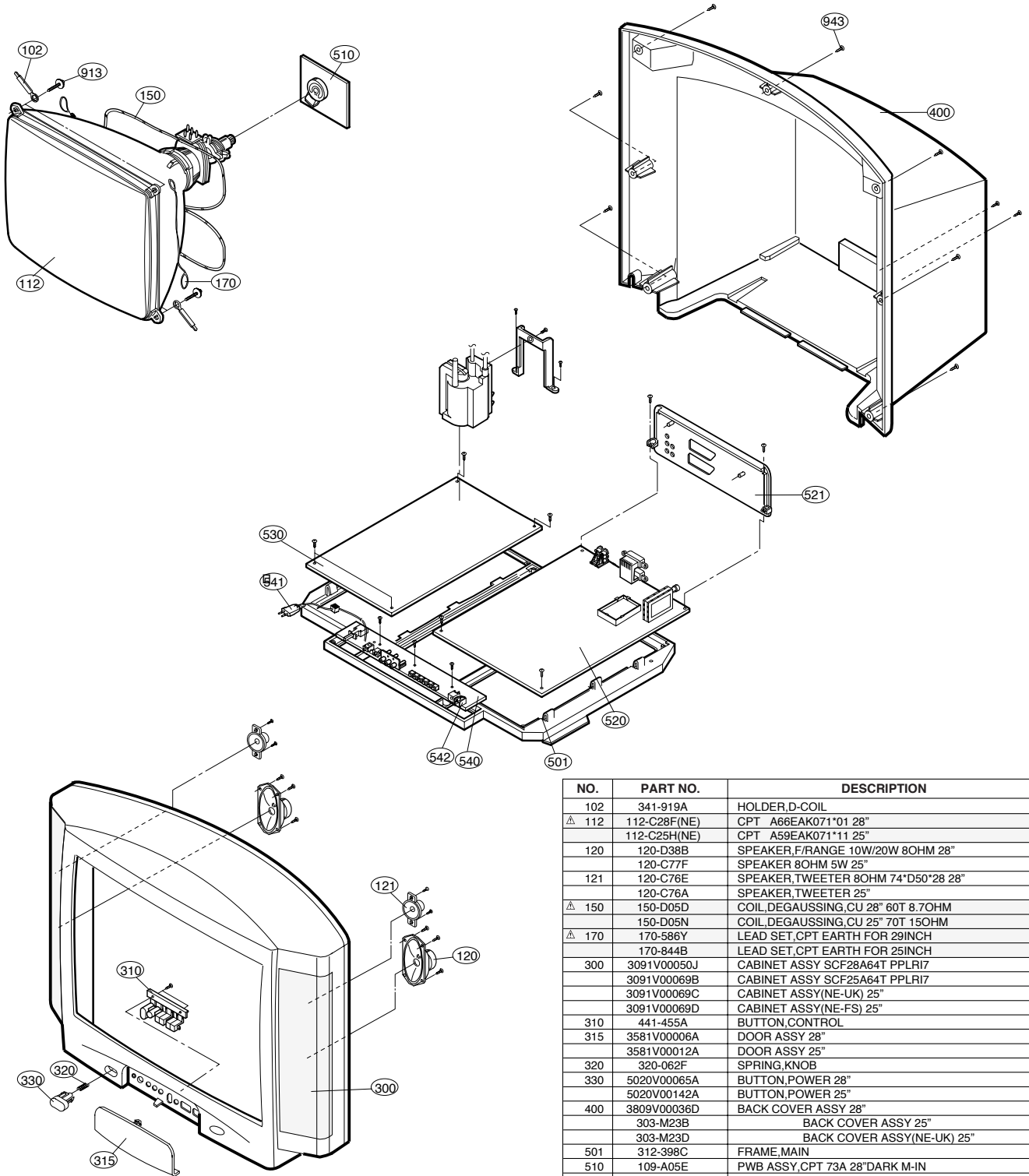
**NOTE:** This adjustment should be performed after warming up for 10 minutes.

**Test Point** : Observing Display

**Adjust** : Focus control of FBT

- 1) Tune the TV set to receive an inactive channel station.
- 2) Adjust the Focus control of FBT for best overall focus.

# CF25A64DF EXPLODED VIEW



NO.	PART NO.	DESCRIPTION
102	341-919A	HOLDER,D-COIL
△ 112	112-C28F(NE)	CPT A66EAK071*01 28"
	112-C25H(NE)	CPT A59EAK071*11 25"
120	120-D38B	SPEAKER,F/RANGE 10W/20W 8OHM 28"
	120-C77F	SPEAKER 8OHM 5W 25"
121	120-C76E	SPEAKER,TWEETER 8OHM 74*D50*28 28"
	120-C76A	SPEAKER,TWEETER 25"
△ 150	150-D05D	COIL,DEGAUSSING,CU 28" 60T 8.7OHM
	150-D05N	COIL,DEGAUSSING,CU 25" 70T 15OHM
△ 170	170-586Y	LEAD SET,CPT EARTH FOR 29INCH
	170-844B	LEAD SET,CPT EARTH FOR 25INCH
300	3091V00050J	CABINET ASSY SCF28A64T PPLR17
	3091V00069B	CABINET ASSY SCF25A64T PPLR17
	3091V00069C	CABINET ASSY(NE-UK) 25"
	3091V00069D	CABINET ASSY(NE-FS) 25"
310	441-455A	BUTTON,CONTROL
315	3581V00006A	DOOR ASSY 28"
	3581V00012A	DOOR ASSY 25"
320	320-062F	SPRING,KNOB
330	5020V00065A	BUTTON,POWER 28"
	5020V00142A	BUTTON,POWER 25"
400	3809V00036D	BACK COVER ASSY 28"
	303-M23B	BACK COVER ASSY 25"
	303-M23D	BACK COVER ASSY(NE-UK) 25"
501	312-398C	FRAME,MAIN
510	109-A05E	PWB ASSY,CPT 73A 28"DARK M-IN
520	6871VMM056D	PWB ASSY,MAIN1 (73A) 28"
	6871VMM056H	PWB ASSY,MAIN1 (73A) 25"-NOR(W/O-D,L)
	6871VMM056J	PWB ASSY,MAIN1 (73A) 25"-NOR(W/O-L)
	6871VMM056K	PWB ASSY,MAIN1 (73A) 25"-NOR(W/ L)
521	3501V00002C	BOARD ASSY (PC-73A,CF-28A64T)
	3501V00002B	BOARD ASSY (PC-73A,CF-28A60)
530	6871VDM039B	PWB ASSY,MAIN2 (73A)28"
	6871VDM039D	PWB ASSY,MAIN2 (73A)25"
540	6871VSM082A	PWB ASSY,CONTROL
△ 541	174-322E	CORD,POWER W/FILTER L=400(179B)
542	341-783A	HOLDER,LED
913	332-229D	SCREW ASSY,HEXAGON HEAD (D7,L28)
943	1PPF0403116	SCREW,PAN HEAD D4 L16

# CF25A64DF REPLACEMENT PARTS LIST

The components identified by shading and mark  $\Delta$  are critical for safety.  
Replace only with part number specified.

LOCA. NO	PART NO	DESCRIPTION
<b>ICs</b>		
IC01	0ISO861809A	IC, LG8618-09A(CXP86441-501S)52SD,
IC02	0ISG241600A	IC, ST24C16 8D EEPROM(16K)
IC03	0IKE703300B	IC, KIA7033P 3P 3.3V RESET(TAPING)
IC101	0ITF447400A	IC, TDA4474(VIF)
IC102	0ISH052100A	IC, PQ05RF21 4P(TO-220) 5V S/W REG
IC1651	0ISA428200A	IC, LA4282
IC201	0IGS381200A	IC, GL3812(HA11518)
IC351	0IPH835050A	IC, TDA8350Q/N5 13P, SIP BK V/DEF+E
IC501	0IPH837600A	IC, TDA8376-N1 52SD MULTI VIDEO P.
IC502	0IPH456620A	IC, TDA4566/V2 18D CTI
IC503	0IPH466500B	IC, TDA4665-V4 16D 1H D/L(TAIWAN)
IC504	0IPH839520A	IC, TDA8395P/N2 16D SECAM DECODER
IC505	0IMA586000A	IC, AN5860 14D ANALOG RGB S/W
IC601	0IIT341000E	IC, MSP3410D 52P, SDIP BK MULTI SOU
IC602	0IIT351900A	IC, DPL3519A(DOLBY PRO LOGIC)
IC605	0ISG282200A	IC, TDA2822M 8D DUAL AUDIO AMP(1W)
IC606	0IKE703300B	IC, KIA7033P 3P 3.3V RESET(TAPING)
IC607	0IKE780800A	IC, KIA7808PI 3P(TO-220IS) 1A, 8V
IC701	0ITI724160A	IC, CF72416N 20D TXT D/SLICER(VPS)
IC702	0ITI702062A	IC, CX70206NW 28DIP TXT RECORDER
$\Delta$ IC801	0ISK670900A	IC, STR/S6709 9S SMPS-CNTR
IC802	0ISH123200B	IC, PC123 FY2PHOTO COUPLER
IC803	0ISK140000A	IC, SE140N 3P 130V ERROR AMP
IC805	0ISH052100A	IC, PQ05RF21 4P(TO-220) 5V S/W REG
IC806	0ISH122100A	IC, PQ12RF21 4P(TO-220) 12V S/W RE
IC851	0ISH052100A	IC, PQ05RF21 4P(TO-220) 5V S/W REG
<b>DIODES</b>		
D04	0DD414809ED	DIODE DS4148
D05	0DD414809ED	DIODE DS4148
D06	0DD414809ED	DIODE DS4148
D07	0DD414809ED	DIODE DS4148
D08	0DD414809ED	DIODE DS4148
D09	0DD414809ED	DIODE DS4148
D101	0DD414809ED	DIODE DS4148
D102	0DD414809ED	DIODE DS4148
D104	0DD414809ED	DIODE DS4148
D105	0DD859009AA	DIODE SILICON MA859
D106	0DD859009AA	DIODE SILICON MA859
D107	0DD414809ED	DIODE DS4148
D109	0DD414809ED	DIODE DS4148
D261	0DD000000BA	DIODE LAMP(DIFFUSION TYPE)
D401	0DD060009AC	DIODE TVR06J 0.6A/600V 250NS
D402	0DD200009AH	DIODE RU2AMV
D404	0DD060009AC	DIODE TVR06J 0.6A/600V 250NS
D451	0DD410000AC	DIODE RU4DS, LF-L1
D452	0DD410000AB	DIODE RU4C, LF-L1
D453	0DD150009CA	DIODE RGP15J
D454	0DD400309AD	DIODE IN4003A RECT
D501	0DD414809ED	DIODE DS4148
D531	0DD414809ED	DIODE DS4148

LOCA. NO	PART NO	DESCRIPTION
D701	0DD414809ED	DIODE DS4148
D801	0DD560000AA	DIODE D5SB60 BRIDGE (5A/600V)S.D.G
D802	0DD150009CA	DIODE RGP15J
D803	0DD100009AL	DIODE EH-1ZV
D805	0DD060009AC	DIODE TVR06J 0.6A/600V 250NS
D807	0DD060009AC	DIODE TVR06J 0.6A/600V 250NS
D808	0DD060009AC	DIODE TVR06J 0.6A/600V 250NS
D822	0DD420000BB	DIODE D4L20U
D824	0DD060009AC	DIODE TVR06J 0.6A/600V 250NS
D825	0DD410000AD	DIODE RU4AM, LF-L1
D829	0DD420000BB	DIODE D4L20U
D831	0DD414809ED	DIODE DS4148
D832	0DD414809ED	DIODE DS4148
D833	0DD414809ED	DIODE DS4148
D835	0DD150009CA	DIODE RGP15J
D851	0DD060009AC	DIODE TVR06J 0.6A/600V 250NS
D852	0DD060009AC	DIODE TVR06J 0.6A/600V 250NS
D853	0DD060009AC	DIODE TVR06J 0.6A/600V 250NS
D854	0DD060009AC	DIODE TVR06J 0.6A/600V 250NS
D855	0DD414809ED	DIODE DS4148
D856	0DD400309AD	DIODE IN4003A RECT
D857	0DD414809ED	DIODE DS4148
D921	0DD247109AA	DIODE 1S2471
D924	0DD247109AA	DIODE 1S2471
D941	0DD247109AA	DIODE 1S2471
D944	0DD247109AA	DIODE 1S2471
D961	0DD247109AA	DIODE 1S2471
D964	0DD247109AA	DIODE 1S2471
D965	0DD400309AD	DIODE IN4003A RECT
ZD103	0DZ330009BA	DIODE ZENER HZT33
ZD358	0DZ240009BB	DIODE ZENER MTZ24B
ZD359	0DZ240009BB	DIODE ZENER MTZ24B
ZD360	0DZ330009CA	DIODE ZENER MTZ 33B
ZD361	0DZ510009AB	DIODE ZENER MTZ5.1B
ZD408	0DZ820009DA	DIODE, ZENER MTZ8.2C 0.5W(52MM)TP
ZD501	0DZ240009BC	DIODE ZENER MTZ2.4B 2.4V K-ROHM
ZD502	0DZ750009AA	DIODE ZENER MTZ7.5B
ZD541	0DZ510009AB	DIODE ZENER MTZ5.1B
ZD561	0DZ510009AB	DIODE ZENER MTZ5.1B
ZD562	0DZ510009AB	DIODE ZENER MTZ5.1B
ZD563	0DZ510009AB	DIODE ZENER MTZ5.1B
ZD564	0DZ750009AA	DIODE ZENER MTZ7.5B
ZD801	0DZ750009AA	DIODE ZENER MTZ7.5B
ZD808	0DZ750009AA	DIODE ZENER MTZ7.5B
<b>TRANSISTORS</b>		
Q01	0TR319809AA	TR, KTC3198-TP-Y (KTC1815)
Q02	0TR102009AB	TR, KRC102M, TP(KRC1202)
Q03	0TR319809AA	TR, KTC3198-TP-Y (KTC1815)
Q104	0TR319809AA	TR, KTC3198-TP-Y
Q105	0TR319809AA	TR, KTC3198-TP-Y
Q11	0TR126609AA	TR, KTA1266-TP-Y (KTA1015)
Q201	0TR319809AA	TR, KTC3198-TP-Y (KTC1815)

The components identified by shading and mark  $\Delta$  are critical for safety.  
 Replace only with part number specified.

LOCA. NO	PART NO	DESCRIPTION
Q203	0TR126609AA	TR,KTA1266-TP-Y (KTA1015)
Q204	0TR319809AA	TR,KTC3198-TP-Y (KTC1815)
Q281	0TR126609AA	TR,KTA1266-TP-Y (KTA1015)
Q351	0TR988000AC	TR,KTB988-Y,W/A(KTB834)
Q451	0TR223800AA	TR,KTC2238A-Y
$\Delta$ Q452	0TR270800AA	TR,BU2708AF BK
Q531	0TR126609AA	TR,KTA1266-TP-Y (KTA1015)
Q601	0TR126609AA	TR,KTA1266-TP-Y (KTA1015)
Q602	0TR126609AA	TR,KTA1266-TP-Y (KTA1015)
Q603	0TR126609AA	TR,KTA1266-TP-Y (KTA1015)
Q604	0TR126609AA	TR,KTA1266-TP-Y (KTA1015)
Q605	0TR126609AA	TR,KTA1266-TP-Y (KTA1015)
Q606	0TR126609AA	TR,KTA1266-TP-Y (KTA1015)
Q607	0TR126609AA	TR,KTA1266-TP-Y (KTA1015)
Q608	0TR126609AA	TR,KTA1266-TP-Y (KTA1015)
Q701	0TR319809AA	TR,KTC3198-TP-Y (KTC1815)
Q702	0TR319809AA	TR,KTC3198-TP-Y (KTC1815)
Q703	0TR126609AA	TR,KTA1266-TP-Y (KTA1015)
Q801	0TR385200AA	TR,2SC3852A
Q852	0TR322709AA	TR,KTC3227-Y,TP(KTC1627A)
Q853	0TR322709AA	TR,KTC3227-Y,TP(KTC1627A)
Q854	0TR319809AA	TR,KTC3198-TP-Y (KTC1815)
Q901	0TR126609AA	TR,KTA1266-TP-Y (KTA1015)
Q921	0TR319809AA	TR,KTC3198-TP-Y (KTC1815)
Q922	0TR322900AA	TR,KTC3229 (KTC2068)
Q923	0TR319809AA	TR,KTC3198-TP-Y (KTC1815)
Q924	0TR422009CB	TR,BF422L(AMMO)TO-92
Q925	0TR421009CB	TR,BF421L(AMMO)TO-92
Q941	0TR319809AA	TR,KTC3198-TP-Y (KTC1815)
Q942	0TR322900AA	TR,KTC3229 (KTC2068)
Q943	0TR319809AA	TR,KTC3198-TP-Y (KTC1815)
Q944	0TR422009CB	TR,BF422L(AMMO)TO-92
Q945	0TR421009CB	TR,BF421L(AMMO)TO-92
Q961	0TR319809AA	TR,KTC3198-TP-Y (KTC1815)
Q962	0TR322900AA	TR,KTC3229 (KTC2068)
Q963	0TR319809AA	TR,KTC3198-TP-Y (KTC1815)
Q964	0TR422009CB	TR,BF422L(AMMO)TO-92
Q965	0TR421009CB	TR,BF421L(AMMO)TO-92

**CAPACITORS**

C09	0CE106DF618	C,ELECTROLYTIC 10UF STD 16V M
C10	0CE335DK618	C,ELECTROLYTIC 3.3UF STD 50V M
C102	0CE476DF618	C,ELECTROLYTIC 47UF STD 16V M
C103	0CE106DK618	C,ELECTROLYTIC 10UF STD 50V M
C105	0CE107DF618	C,ELECTROLYTIC 100UF STD 16V M
C108	0CE476DF618	C,ELECTROLYTIC 47UF STD 16V M
C110	0CE476DF618	C,ELECTROLYTIC 47UF STD 16V M
C113	0CE106DF618	C,ELECTROLYTIC 10UF STD 16V M
C114	0CQ1052K439	C,POLYESTER(MYLAR) 1UF S 50V J
C118	0CE225DK618	C,ELECTROLYTIC 2.2UF STD 50V M
C119	0CQ4742K439	C,POLYESTER(MYLAR) 0.47UF S 50V J
C122	0CE226DF618	C,ELECTROLYTIC 22UF STD 16V M

LOCA. NO	PART NO	DESCRIPTION
C123	0CE475DK618	C,ELECTROLYTIC 4.7UF STD 50V M
C125	0CN3320F569	C,TUBULA 3300P 16V K
C130	0CE106DF618	C,ELECTROLYTIC 10UF STD 16V M
C136	0CN1030F679	C,TUBULA(HIGH DIELE) 0.01MF 16V M
C137	0CN1030F679	C,TUBULA(HIGH DIELE) 0.01MF 16V M
C139	0CE227DF618	C,ELECTROLYTIC 220UF STD 16V M
C140	0CE477DF618	C,ELECTROLYTIC 470UF STD 16V M
C15	0CE107DF618	C,ELECTROLYTIC 100UF STD 16V M
C16	0CE227DF618	C,ELECTROLYTIC 220UF STD 16V M
C1615	0CE227DF618	C,ELECTROLYTIC 220UF STD 16V M
C1616	0CE227DF618	C,ELECTROLYTIC 220UF STD 16V M
C1617	0CE227DF618	C,ELECTROLYTIC 220UF STD 16V M
C1619	0CN4710K519	C,TUBULA(HIGH DIELE) 470PF 50V K
C1620	0CE227DF618	C,ELECTROLYTIC 220UF STD 16V M
C1622	0CN4710K519	C,TUBULA(HIGH DIELE) 470PF 50V K
C1624	0CN4710K519	C,TUBULA(HIGH DIELE) 470PF 50V K
C1626	0CN4710K519	C,TUBULA(HIGH DIELE) 470PF 50V K
C1653	0CQ2221N509	C,POLYESTER(MYLAR) 0.0022U 100V K
C1658	0CE2256K618	C,ELECTROLYTIC 2.2MF SMS 50V M
C1659	0CQ1041N509	C,POLYESTER(MYLAR) 0.1MF 100V L
C1660	0CE108DJ618	C,ELECTROLYTIC 1000UF STD 35V M
C1661	0CE107DH618	C,ELECTROLYTIC 100UF STD 25V M
C1662	0CE107DH618	C,ELECTROLYTIC 100UF STD 25V M
C1663	0CK1030K945	C,CERAMIC(HIGH DIELE) 0.01MF 50V Z
C1664	0CE108DJ618	C,ELECTROLYTIC 1000UF STD 35V M
C1665	0CE228DJ650	C,ELECTROLYTIC 2200UF STD 35V M
C1666	0CE2256K618	C,ELECTROLYTIC 2.2MF SMS 50V M
C1667	181-442Z	C,POLYESTER 0.1MF 50V K
C1668	0CQ2221N509	C,POLYESTER(MYLAR) 0.0022U 100V K
C1669	181-091B	C,DE5105 270MF1KV J
C1670	0CE107DH618	C,ELECTROLYTIC 100UF STD 25V M
C1671	0CE106DF618	C,ELECTROLYTIC 10UF STD 16V M
C172	0CE108DD618	C,ELECTROLYTIC 1000UF STD 10V M
C20	0CE476DF618	C,ELECTROLYTIC 47UF STD 16V M
C201	0CE106DF618	C,ELECTROLYTIC 10UF STD 16V M
C203	0CE107DF618	C,ELECTROLYTIC 100UF STD 16V M
C205	0CE106DF618	C,ELECTROLYTIC 10UF STD 16V M
C206	0CE106DF618	C,ELECTROLYTIC 10UF STD 16V M
C211	0CE106DF618	C,ELECTROLYTIC 10UF STD 16V M
C212	0CE476DF618	C,ELECTROLYTIC 47UF STD 16V M
C214	0CE107DF618	C,ELECTROLYTIC 100UF STD 16V M
C215	0CQ3342K439	C,POLYESTER(MYLAR) 0.33UF S 50V J
C216	0CQ3342K439	C,POLYESTER(MYLAR) 0.33UF S 50V J
C217	0CQ3342K439	C,POLYESTER(MYLAR) 0.33UF S 50V J
C218	0CQ3342K439	C,POLYESTER(MYLAR) 0.33UF S 50V J
C219	0CQ3342K439	C,POLYESTER(MYLAR) 0.33UF S 50V J
C22	0CC1500K415	C,CERAMIC(TEMP COMP) 15P 50V J
C220	0CQ3342K439	C,POLYESTER(MYLAR) 0.33UF S 50V J
C23	0CC1500K415	C,CERAMIC(TEMP COMP) 15P 50V J
C230	0CN1030F679	C,TUBULA(HIGH DIELE) 0.01MF 16V M
C231	0CE106DF618	C,ELECTROLYTIC 10UF STD 16V M
C232	0CE227DF618	C,ELECTROLYTIC 220UF STD 16V M

The components identified by shading and mark  $\Delta$  are critical for safety.  
Replace only with part number specified.

LOCA. NO	PART NO	DESCRIPTION
C233	0CE476DF618	C,ELECTROLYTIC 47UF STD 16V M
C234	0CN1030F679	C,TUBULA(HIGH DIELE) 0.01MF 16V M
C238	0CE226DF618	C,ELECTROLYTIC 22UF STD 16V M
C24	0CN1010K519	C,TUBULA(HIGH DIELE) 100PF 50V K
C240	0CE226DF618	C,ELECTROLYTIC 22UF STD 16V M
C246	0CE227DF618	C,ELECTROLYTIC 220UF STD 16V M
C25	0CN1010K519	C,TUBULA(HIGH DIELE) 100PF 50V K
C252	0CE226DF618	C,ELECTROLYTIC 22UF STD 16V M
C253	0CE226DF618	C,ELECTROLYTIC 22UF STD 16V M
C26	0CN1010K519	C,TUBULA(HIGH DIELE) 100PF 50V K
C27	0CN1010K519	C,TUBULA(HIGH DIELE) 100PF 50V K
C28	0CN1010K519	C,TUBULA(HIGH DIELE) 100PF 50V K
C281	0CE475DK618	C,ELECTROLYTIC 4.7UF STD 50V M
C282	0CN1030F679	C,TUBULA(HIGH DIELE) 0.01MF 16V M
C283	0CE477DD618	C,ELECTROLYTIC 470UF STD 10V M
C285	0CN2220F569	C,TUBULA(HIGH DIELE) 2200P 16V K
C287	0CN2220F569	C,TUBULA(HIGH DIELE) 2200P 16V K
C29	0CN1010K519	C,TUBULA(HIGH DIELE) 100PF 50V K
C351	0CE4776H618	C,ELECTROLYTIC 470U SMS 25V M
C352	0CE476BK618	C,ELECTROLYTIC 47UF KME 50V M
C353	0CK1030K945	C,CERAMIC(HIGH DIELE) 0.01MF 50V Z
C354	0CQ1041N509	C,POLYESTER(MYLAR) 0.1MF 100V L
C355	0CQ1041N509	C,POLYESTER(MYLAR) 0.1MF 100V L
C356	0CQ1041N509	C,POLYESTER(MYLAR) 0.1MF 100V L
C357	0CQ1041N509	C,POLYESTER(MYLAR) 0.1MF 100V L
C358	0CQ1041N509	C,POLYESTER(MYLAR) 0.1MF 100V L
C359	0CE6851K652	C,ELECTROLYTIC 6.8000UF SM 50V M
C361	0CK1020K515	C,CERAMIC(HIGH DIELE) 1000PF 500V K
C362	0CK1020K515	C,CERAMIC(HIGH DIELE) 1000PF 500V K
C401	181-009V	C,PP 200V 0.047UF K
C402	0CE106DR618	C,ELECTROLYTIC 10UF STD 250V M
C403	0CK2710W515	C,CERAMIC(HIGH DIELE) 270P 500V K
C404	0CE106DR618	C,ELECTROLYTIC 10UF STD 250V M
C405	181-091B	C,DE5105 270MF1KV J
C406	0CE4776H618	C,ELECTROLYTIC 470U SMS 25V M
C407	0CK2710W515	C,CERAMIC(HIGH DIELE) 270P 500V K
C408	0CE4766N618	C,ELECTROLYTIC 47U SMS 100V M
C410	0CQ8221N519	C,POLYESTER(MYLAR) 0.0082U 100V K
C451	0CK3910K515	C,CERAMIC(HIGH DIELE) 390P 50V K
C452	0CQ1021N509	C,POLYESTER(MYLAR) 0.001U 100V K
C453	0CE106DN618	C,ELECTROLYTIC 10UF STD 100V M
C454(28 <sup>n</sup> )	181-014Y	C,MPP 1.6KV 0.0015UF J
"(25")	181-011B	C,MPP 1600V 0.001UF J
C455(28 <sup>n</sup> )	181-014C	C,MPP 1600V 0.0056UF J
"(25")	181-014E	C,MPP 1600V 0.0062UF J
C456(28 <sup>n</sup> )	181-014C	C,MPP 1600V 0.0056UF J
"(25")	181-014F	C,MPP 1600V 0.0068UF J
C457	181-005H	C,PE 400V 0.022UF K(S:7.5)
$\Delta$ C458(28 <sup>n</sup> )	181-038D	C,MPP 400V 0.24MF J
"(25")	181-013N	C,MPP 400V 0.27UF J
$\Delta$ C460	0CE106BR618	C,ELECTROLYTIC 10UF KME 250V M
C462	0CE474DK618	C,ELECTROLYTIC 0.47UF STD 50V M

LOCA. NO	PART NO	DESCRIPTION
C501	0CQ1042K439	C,POLYESTER(MYLAR) 0.1UF S 50V J
C502	0CE475DK618	C,ELECTROLYTIC 4.7UF STD 50V M
C503	0CE105DK618	C,ELECTROLYTIC 1UF STD 50V M
C504	0CQ1042K439	C,POLYESTER(MYLAR) 0.1UF S 50V J
C505	0CE476DF618	C,ELECTROLYTIC 47UF STD 16V M
C507	0CQ1042K439	C,POLYESTER(MYLAR) 0.1UF S 50V J
C508	0CQ1042K439	C,POLYESTER(MYLAR) 0.1UF S 50V J
C509	0CQ1042K439	C,POLYESTER(MYLAR) 0.1UF S 50V J
C510	0CQ1042K439	C,POLYESTER(MYLAR) 0.1UF S 50V J
C511	0CQ1042K439	C,POLYESTER(MYLAR) 0.1UF S 50V J
C512	0CQ1042K439	C,POLYESTER(MYLAR) 0.1UF S 50V J
C513	0CQ1042K439	C,POLYESTER(MYLAR) 0.1UF S 50V J
C514	0CQ1042K439	C,POLYESTER(MYLAR) 0.1UF S 50V J
C515	0CQ1042K439	C,POLYESTER(MYLAR) 0.1UF S 50V J
C516	0CQ1042K439	C,POLYESTER(MYLAR) 0.1UF S 50V J
C517	0CQ1042K439	C,POLYESTER(MYLAR) 0.1UF S 50V J
C520	0CQ4721N509	C,POLYESTER(MYLAR) 0.0047U 100V K
C521	0CQ1042K439	C,POLYESTER(MYLAR) 0.1UF S 50V J
C523	0CQ2221N509	C,POLYESTER(MYLAR) 0.0022U 100V K
C524	0CQ4721N509	C,POLYESTER(MYLAR) 0.0047U 100V K
C525	0CSZVTA001C	C,TANTALUM
C526	0CQ1041N455	C,POLYESTER(MYLAR) 0.1000UF 100V J
C528	0CE107DF618	C,ELECTROLYTIC 100UF STD 16V M
C530	0CE105DK618	C,ELECTROLYTIC 1UF STD 50V M
C531	0CQ1052K439	C,POLYESTER(MYLAR) 1UF S 50V J
C532	0CQ1042K439	C,POLYESTER(MYLAR) 0.1UF S 50V J
C533	0CQ1042K439	C,POLYESTER(MYLAR) 0.1UF S 50V J
C534	0CQ1042K439	C,POLYESTER(MYLAR) 0.1UF S 50V J
C541	0CE476DF618	C,ELECTROLYTIC 47UF STD 16V M
C546	0CE476DF618	C,ELECTROLYTIC 47UF STD 16V M
C547	0CE476DF618	C,ELECTROLYTIC 47UF STD 16V M
C549	0CQ1042K439	C,POLYESTER(MYLAR) 0.1UF S 50V J
C550	0CQ1042K439	C,POLYESTER(MYLAR) 0.1UF S 50V J
C557	0CE107DF618	C,ELECTROLYTIC 100UF STD 16V M
C559	0CQ4742K439	C,POLYESTER(MYLAR) 0.47UF S 50V J
C560	0CQ4742K439	C,POLYESTER(MYLAR) 0.47UF S 50V J
C561	0CQ1031N509	C,POLYESTER(MYLAR) 0.01U 100V K
C562	0CQ1031N509	C,POLYESTER(MYLAR) 0.01U 100V K
C563	0CQ1031N509	C,POLYESTER(MYLAR) 0.01U 100V K
C565	0CE476DF618	C,ELECTROLYTIC 47UF STD 16V M
C588	0CQ1042K439	C,POLYESTER(MYLAR) 0.1UF S 50V J
C605	0CX5600K409	C,TUBULA(T.C) 56P 50V J
C607	0CE106DF618	C,ELECTROLYTIC 10UF STD 16V M
C610	0CQ4742K439	C,POLYESTER 0.4700UF S 50V J
C611	0CE106DF618	C,ELECTROLYTIC 10UF STD 16V M
C613	0CE227DF618	C,ELECTROLYTIC 220UF STD 16V M
C616	0CE106DF618	C,ELECTROLYTIC 10UF STD 16V M
C617	0CE106DF618	C,ELECTROLYTIC 10UF STD 16V M
C619	0CE227DF618	C,ELECTROLYTIC 220UF STD 16V M
C621	0CE106DF618	C,ELECTROLYTIC 10UF STD 16V M
C622	0CE107DF618	C,ELECTROLYTIC 100UF STD 16V M

The components identified by shading and mark  $\Delta$  are critical for safety.  
 Replace only with part number specified.

LOCA. NO	PART NO	DESCRIPTION
C627	0CQ4742K439	C,POLYESTER(MYLAR) 0.47UF S 50V J
C630	0CQ4742K439	C,POLYESTER(MYLAR) 0.47UF S 50V J
C632	0CE335DK618	C,ELECTROLYTIC 3.3UF STD 50V M
C635	0CE476DF618	C,ELECTROLYTIC 47UF STD 16V M
C636	0CE106DF618	C,ELECTROLYTIC 10UF STD 16V M
C638	0CE106DF618	C,ELECTROLYTIC 10UF STD 16V M
C640	0CE106DF618	C,ELECTROLYTIC 10UF STD 16V M
C642	0CE476DF618	C,ELECTROLYTIC 47UF STD 16V M
C644	0CE476DF618	C,ELECTROLYTIC 47UF STD 16V M
C655	0CE227DF618	C,ELECTROLYTIC 220UF STD 16V M
C657	0CE477DF618	C,ELECTROLYTIC 470UF STD 16V M
C681	0CE108DD618	C,ELECTROLYTIC 1000UF STD 10V M
C683	0CE227DF618	C,ELECTROLYTIC 220UF STD 16V M
C691	0CE107DF618	C,ELECTROLYTIC 100UF STD 16V M
C692	0CE107DF618	C,ELECTROLYTIC 100UF STD 16V M
C693	0CE107DF618	C,ELECTROLYTIC 100UF STD 16V M
C694	0CE107DF618	C,ELECTROLYTIC 100UF STD 16V M
C695	0CN1030F679	C,TUBULA(HIGH DIELE) 0.01MF 16V M
C697	0CE227DF618	C,ELECTROLYTIC 220UF STD 16V M
C701	0CE476DF618	C,ELECTROLYTIC 47UF STD 16V M
C702	0CE107DF618	C,ELECTROLYTIC 100UF STD 16V M
C703	0CQ1042K439	C,POLYESTER(MYLAR) 0.1UF S 50V J
C704	0CE476DF618	C,ELECTROLYTIC 47UF STD 16V M
C705	0CE107DF618	C,ELECTROLYTIC 100UF STD 16V M
C706	0CE476DF618	C,ELECTROLYTIC 47UF STD 16V M
C708	0CQ1032K439	C,POLYESTER(MYLAR) 0.0100UF S 50V J
C709	0CE476DF618	C,ELECTROLYTIC 47UF STD 16V M
C711	0CQ2232K439	C,POLYESTER(MYLAR) 0.0220UF S 50V J
C714	0CC1500K415	C,CERAMIC(TEMP COMP) 15P 50V J
C715	0CC1500K415	C,CERAMIC(TEMP COMP) 15P 50V J
C717	0CE476DF618	C,ELECTROLYTIC 47UF STD 16V M
C720	0CE476DF618	C,ELECTROLYTIC 47UF STD 16V M
C801	0CQZVBK003C	C,POLYESTER B81133-C1224-M000
C802	0CQZVBK003C	C,POLYESTER B81133-C1224-M000
C804	0CK1020K515	C,CERAMIC(HIGH DIELE) 1000PF 500V K
C805	0CQZVBK003C	C,POLYESTER B81133-C1224-M000
C806	181-091D	C,DE0905 R 102K 1KV
C808	181-001H	C,AL.ELECTROLYTIC CE 400V 330UF M
C810	0CE477DF618	C,ELECTROLYTIC 470UF STD 16V M
C811	0CE227BH618	C,ELECTROLYTIC 220UF KME 25V M
C812	0CE226BN618	C,ELECTROLYTIC 22UF KME 100V M
C813	181-091D	C,DE0905 R 102K 1KV
C814	181-014S	CAPACITOR MPP 2000V 0.0022UF J
C816	181-091B	C,DE5105 270MF1KV J
C818	0CN1040K949	C,TUBULA(HIGH DIELE) 0.1M 50V Z
C820	0CE107BQ650	C,ELECTROLYTIC 100U KME 200V M
C821	0CE107DN618	C,ELECTROLYTIC 100UF STD 100V M
C822	0CE1051K636	C,ELECTROLYTIC 1UF SM 50V M
C825	0CE108DF618	C,ELECTROLYTIC 1000UF STD 16V M
C826	0CE3386H610	C,ELECTROLYTIC 3300M SMS 25V M
$\Delta$ C827	0CK2710W515	C,CERAMIC(HIGH DIELE) 270P 500V K

LOCA. NO	PART NO	DESCRIPTION
C828	0CE108DF618	C,ELECTROLYTIC 1000UF STD 16V M
C829	181-003H	C,AL.ELECTROLYTIC CE 200V 100UF M
$\Delta$ C831	0CK2710W515	C,CERAMIC(HIGH DIELE) 270P 500V K
C832	181-091B	C,DE5105 270MF1KV J
C834	0CQ1041N509	C,POLYESTER(MYLAR) 0.1MF 100V L
C835	181-091B	C,DE5105 270MF1KV J
C836	181-091B	C,DE5105 270MF1KV J
C837	0CE228DK650	C,ELECTROLYTIC 2200UF STD 50V M
C839	0CE108DK61A	C,ELECTROLYTIC 1000UF STD 50V M
C841	181-091G	C,DE0907 R471K 2K
C842	181-091J	CAPACITOR DE1107 R 821K 2KV
C845	0CE108DD618	C,ELECTROLYTIC 1000UF STD 10V M
C848	181-120E	C,ACT 4KV E 222M FL10
C852	0CK1020W515	C,CERAMIC(HIGH DIELE) 1000PF 500V K
C853	0CK1020W515	C,CERAMIC(HIGH DIELE) 1000PF 500V K
C855	0CE108DH618	C,ELECTROLYTIC 1000UF STD 25V M
C901	0CE227DF618	C,ELECTROLYTIC 220UF STD 16V M
C902	0CK1040K945	C,CERAMIC(HIGH DIELE) 0.1M 50V Z
C903	0CE475DR618	C,ELECTROLYTIC 4.7UF STD 250V M
C905	0CE335DK618	C,ELECTROLYTIC 3.3UF STD 50V M
C906	0CE475DR618	C,ELECTROLYTIC 4.7UF STD 250V M
C907	181-434K	C,CERAMIC(HI-K) 2200PF 2KV
C908	0CE227DF618	C,ELECTROLYTIC 220UF STD 16V M
C909	0CE227DF618	C,ELECTROLYTIC 220UF STD 16V M
C910	0CE225DR618	C,ELECTROLYTIC 2.2UF STD 250V M
C912	0CN1030F679	C,TUBULA(HIGH DIELE) 0.01MF 16V M
C921	0CK1040K945	C,CERAMIC(HIGH DIELE) 0.1M 50V Z
C922	0CN5610K519	C,TUBULA(HIGH DIELE) 560P 50V K
C924	0CC3300K415	C,CERAMIC(TEMP COMP) 33P 50V J
C941	0CK1040K945	C,CERAMIC(HIGH DIELE) 0.1M 50V Z
C942	0CN4710K519	C,TUBULA(HIGH DIELE) 470PF 50V K
C944	0CC3300K415	C,CERAMIC(TEMP COMP) 33P 50V J
C961	0CK1040K945	C,CERAMIC(HIGH DIELE) 0.1M 50V Z
C962	0CN5610K519	C,TUBULA(HIGH DIELE) 560P 50V K
C964	0CC3300K415	C,CERAMIC(TEMP COMP) 33P 50V J
<b>FERRITE CORES</b>		
FB1601	125-022K	CORE,FERRITE 1UH
FB452	125-022K	CORE,FERRITE 1UH
FB801	125-123A	CORE,FERRITE BFD3565R2F
FB802	125-022K	CORE,FERRITE 1UH
FB804	125-022K	CORE,FERRITE 1UH
FB805	125-022K	CORE,FERRITE 1UH
FB806	125-123A	CORE,FERRITE BFD3565R2F
FB807	125-022K	CORE,FERRITE 1UH
FB808	125-123A	CORE,FERRITE BFD3565R2F
FB810	125-022K	CORE,FERRITE 1UH
FB811	125-123A	CORE,FERRITE BFD3565R2F
FB813	125-022K	CORE,FERRITE 1UH
J306	125-022K	CORE,FERRITE 1UH
J818	125-022K	CORE,FERRITE 1UH
L4	125-022K	CORE,FERRITE 1UH

The components identified by shading and mark  $\Delta$  are critical for safety.  
Replace only with part number specified.

LOCA. NO	PART NO	DESCRIPTION
<b>FUSES</b>		
$\Delta$ FR801	131-096E	FUSE MICRO 125V 4.0A
$\Delta$ F801A	131-098B	FUSE 4A/250V HBC TIME DELAY 5X20
<b>COILS &amp; TRANSFORMERS</b>		
L02	0LA0821K119	INDUCTOR 8.2UH K
L03	0LA0561K119	INDUCTOR 5.6UH K
L104	150-C01F	COIL,CHOKE 0.85UH A 1105
L105	150-C01G	COIL,CHOKE 1.0UH A 1105
L106	0LA0472K119	INDUCTOR 47UH K
L107	150-E11G	COIL,VAR,38.9MHZ(VCO)
L110	0LA0821K119	INDUCTOR 8.2UH K
L113	0LA0102K119	INDUCTOR 10UH K
L1601	0LA0102K119	INDUCTOR 10UH K
L201	0LA0102K119	INDUCTOR 10UH K
L202	0LA0102K119	INDUCTOR 10UH K
L203	0LA0102K119	INDUCTOR 10UH K
L204	0LA0102K119	INDUCTOR 10UH K
L205	0LA0102K119	INDUCTOR 10UH K
L206	0LA0102K119	INDUCTOR 10UH K
L207	0LA0102K119	INDUCTOR 10UH K
L209	0LA0102K119	INDUCTOR 10UH K
L210	0LA0102K119	INDUCTOR 10UH K
L211	0LA0102K119	INDUCTOR 10UH K
L212	0LA0102K119	INDUCTOR 10UH K
L213	0LA0102K119	INDUCTOR 10UH K
L214	0LA0102K119	INDUCTOR 10UH K
L215	0LA0102K119	INDUCTOR 10UH K
L281	0LA1000K119	INDUCTOR 100UH K
L281	0LA1000K119	INDUCTOR 100UH K
L282	0LA1000K119	INDUCTOR 100UH K
L284	0LA1000K119	INDUCTOR 100UH K
L285	0LA1000K119	INDUCTOR 100UH K
L301	0LA1000K119	INDUCTOR 100UH K
L302	0LA1000K119	INDUCTOR 100UH K
L351	150-717J	COIL,CHOKE 560UH (EW)
L453	150-L01J	COIL,H-LINEARITY 27UH
L501	0LA0471K119	INDUCTOR 4.7UH K
L502	0LA0102K119	INDUCTOR 10UH K
L541	0LA0102K119	INDUCTOR 10UH K
L542	0LA0102K119	INDUCTOR 10UH K
L551	0LA0471K119	INDUCTOR 4.7UH K
L601	0LA1000K119	INDUCTOR 100UH K
L602	0LA0102K119	INDUCTOR 10UH K
L603	0LA0102K119	INDUCTOR 10UH K
L604	0LA1000K119	INDUCTOR 100UH K
L605	0LA0102K119	INDUCTOR 10UH K
L608	0LA0102K119	INDUCTOR 10UH K
L609	0LA0102K119	INDUCTOR 10UH K
L681	0LA0102K119	INDUCTOR 10UH K
L682	0LA0102K119	INDUCTOR 10UH K

LOCA. NO	PART NO	DESCRIPTION
L701	0LA0102K119	INDUCTOR 10UH K
L703	0LA0102K119	INDUCTOR 10UH K
L800	150-C02F	COIL,CHOKE 82UH R1217
L802	150-C02F	COIL,CHOKE 82UH R1217
L901	0LA0102K139	INDUCTOR 10UH K
L921	0LA1000K139	INDUCTOR 100UH K
L941	0LA1000K139	INDUCTOR 100UH K
L961	0LA1000K139	INDUCTOR 100UH K
R232	0LA0102K119	INDUCTOR 10UH K
R233	0LA0102K119	INDUCTOR 10UH K
R240	0LA0102K119	INDUCTOR 10UH K
R241	0LA0102K119	INDUCTOR 10UH K
$\Delta$ T451	151-C02B	TRANSFORMER H-DRIVE,EI-19,BULK
$\Delta$ T801	150-982C	COIL,LINE FILTER,23MH SQE
$\Delta$ T802	150-982C	COIL,LINE FILTER,23MH SQE
$\Delta$ T803	151-A01X	TRANSFORMER,COIL EER5345 STR-S6709
$\Delta$ T851	151-D02G	TRANSFORMER,ST-BY EI-35 BULK
<b>JACK &amp; CONNECTOR</b>		
PH1601	380-392C	JACK,RCA S-457C . AUDIO OUT(2P)
"	380-392B	JACK,RCA DOLBY OUT(5P)
P251B	387-812J	CONNECTOR ASSY YJN250 10P(PCB TO PCB YEONHO)
P252B	387-812J	CONNECTOR ASSY YJN250 10P(PCB TO PCB YEONHO)
P267	380-068B	JACK,EARPHONE WITH SW STEREO 3.5
P268	380-394A	JACK,DIN(SW LESS) PJ6030
P271	380-389B	JACK,AV 3P (WITH SWITCH)
P801A	387-552M	CONNECTOR AS,2P (HOUSING TO HOUSING)JNS
<b>RESISTORS</b>		
$\Delta$ FR351	0RF0470J607	R,FUSIBLE 0.47 1W 5%
$\Delta$ FR359	0RF0102H609	R,FUSIBLE 10 1/2W 5
$\Delta$ FR401	0RF0470H609	R,FUSIBLE 0.47 1/2W 5
$\Delta$ FR402	0RF0470J607	R,FUSIBLE 0.47 1W 5%
$\Delta$ FR403	0RF0470J607	R,FUSIBLE 0.47 1W 5%
$\Delta$ FR404	0RF0470H609	R,FUSIBLE 0.47 1/2W 5
$\Delta$ FR405(28")	180-D02N	R RNF RND(S) CR 2W 2.4 J
"(25")	180-D02P	R RNF RND(S) CR 2W 3.0 J
$\Delta$ FR802	0RF0470H609	R,FUSIBLE 0.47 1/2W 5
$\Delta$ FR803	0RF0470H609	R,FUSIBLE 0.47 1/2W 5
L282	0RD4700F609	R,CARBON FILM 470 1/6W 5
L283	0RD4700F609	R,CARBON FILM 470 1/6W 5
R02	0RD1000F609	R,CARBON FILM 100 1/6W 5
R03	0RD4701F609	R,CARBON FILM 4.7K 1/6W 5
R05	0RD4701F609	R,CARBON FILM 4.7K 1/6W 5
R07	0RD4701F609	R,CARBON FILM 4.7K 1/6W 5
R09	0RD4701F609	R,CARBON FILM 4.7K 1/6W 5
R101	0RD1000F609	R,CARBON FILM 100 1/6W 5
R102	0RD1000F609	R,CARBON FILM 100 1/6W 5
R11	0RD4701F609	R,CARBON FILM 4.7K 1/6W 5
R111	0RD3601F609	R,CARBON FILM 3.6K 1/6W 5
R113	0RD1002F609	R,CARBON FILM 10K 1/6W 5
R114	0RD5601F609	R,CARBON FILM 5.6K 1/6W 5

The components identified by shading and mark  $\Delta$  are critical for safety.  
 Replace only with part number specified.

LOCA. NO	PART NO	DESCRIPTION
R115	ORD5601F609	R,CARBON FILM 5.6K 1/6W 5
R116	ORD5601F609	R,CARBON FILM 5.6K 1/6W 5
R117	ORD6800F609	R,CARBON FILM 680 1/6W 5
R124	ORD4702F609	R,CARBON FILM 47K 1/6W 5
R125	ORD1001F609	R,CARBON FILM 1.0K 1/6W 5
R126	ORD4702F609	R,CARBON FILM 47K 1/6W 5
R13	ORD4701F609	R,CARBON FILM 4.7K 1/6W 5
R130	ORS0222K607	R,METAL FILM OXIDE 22 2W 5%
R132	ORD1001F609	R,CARBON FILM 1.0K 1/6W 5
R16	ORD1002F609	R,CARBON FILM 10K 1/6W 5
R1615	ORD1000F609	R,CARBON FILM 100 1/6W 5
R1617	ORD1000F609	R,CARBON FILM 100 1/6W 5
R1619	ORD1000F609	R,CARBON FILM 100 1/6W 5
R1622	ORD1000F609	R,CARBON FILM 100 1/6W 5
R1627	ORD1004F609	R,CARBON FILM 1.0M 1/6W 5
R1628	ORD1004F609	R,CARBON FILM 1.0M 1/6W 5
R1629	ORD1004F609	R,CARBON FILM 1.0M 1/6W 5
R1630	ORD1004F609	R,CARBON FILM 1.0M 1/6W 5
R1651	ORD2201F609	R,CARBON FILM 2.2K 1/6W 5
R1652	ORD1600F609	R,CARBON FILM 160 1/6W 5
R1653	ORD1600F609	R,CARBON FILM 160 1/6W 5
R1654	ORD2201F609	R,CARBON FILM 2.2K 1/6W 5
R1655	ORD4701F609	R,CARBON FILM 4.7K 1/6W 5
R1656	ORD2201F609	R,CARBON FILM 2.2K 1/6W 5
R1657	ORD0221F609	R,CARBON FILM 2.2 1/6W 5
R1658	ORD0221F609	R,CARBON FILM 2.2 1/6W 5
R1659	ORD2201F609	R,CARBON FILM 2.2K 1/6W 5
R18	ORD3300F609	R,CARBON FILM 330 1/6W 5
R19	ORD1001F609	R,CARBON FILM 1.0K 1/6W 5
R201	ORD0752F609	R,CARBON FILM 75 1/6W 5
R202	ORD1000F609	R,CARBON FILM 100 1/6W 5
R203	ORD0752F609	R,CARBON FILM 75 1/6W 5
R204	ORD0752F609	R,CARBON FILM 75 1/6W 5
R205	ORD1000F609	R,CARBON FILM 100 1/6W 5
R209	ORD1001F609	R,CARBON FILM 1.0K 1/6W 5
R21	ORD1102F609	R,CARBON FILM 11K 1/6W 5
R211	ORD1001F609	R,CARBON FILM 1.0K 1/6W 5
R212	ORD8200F609	R,CARBON FILM 820 1/6W 5
R214	ORD1201F609	R,CARBON FILM 1.2K 1/6W 5
R215	ORD1201F609	R,CARBON FILM 1.2K 1/6W 5
R216	ORD2000F609	R,CARBON FILM 200 1/6W 5
R217	ORD1201F609	R,CARBON FILM 1.2K 1/6W 5
R218	ORD1201F609	R,CARBON FILM 1.2K 1/6W 5
R219	ORD1201F609	R,CARBON FILM 1.2K 1/6W 5
R220	ORD4700F609	R,CARBON FILM 470 1/6W 5
R221	ORD1201F609	R,CARBON FILM 1.2K 1/6W 5
R224	ORD2000F609	R,CARBON FILM 200 1/6W 5
R225	ORD2000F609	R,CARBON FILM 200 1/6W 5
R226	ORD0622F609	R,CARBON FILM 62 1/6W 5
R227	ORD1001F609	R,CARBON FILM 1.0K 1/6W 5
R228	ORD0102F609	R,CARBON FILM 10 1/6W 5
R229	ORD0752F609	R,CARBON FILM 75 1/6W 5

LOCA. NO	PART NO	DESCRIPTION
R23	ORD1000F609	R,CARBON FILM 100 1/6W 5
R239	ORD0752F609	R,CARBON FILM 75 1/6W 5
R246	ORD1001F609	R,CARBON FILM 1.0K 1/6W 5
R247	ORD1001F609	R,CARBON FILM 1.0K 1/6W 5
R248	ORD1001F609	R,CARBON FILM 1.0K 1/6W 5
R249	ORD1001F609	R,CARBON FILM 1.0K 1/6W 5
R26	ORD1002F609	R,CARBON FILM 10K 1/6W 5
R28	ORD1001F609	R,CARBON FILM 1.0K 1/6W 5
R281	ORD2001F609	R,CARBON FILM 2.0K 1/6W 5
R282	ORD4700F609	R,CARBON FILM 470 1/6W 5
R284	ORD0752F609	R,CARBON FILM 75 1/6W 5
R285	ORD0752F609	R,CARBON FILM 75 1/6W 5
R286	ORD0332H609	R,CARBON FILM 33 1/2W 5
R287	ORD0332H609	R,CARBON FILM 33 1/2W 5
R288	ORD0332F609	R,CARBON FILM 33 1/6W 5
R289	ORD0332F609	R,CARBON FILM 33 1/6W 5
R291	ORD1000F609	R,CARBON FILM 100 1/6W 5
R292	ORD1000F609	R,CARBON FILM 100 1/6W 5
R293	ORD1000F609	R,CARBON FILM 100 1/6W 5
R294	ORD1000F609	R,CARBON FILM 100 1/6W 5
R295	ORD1000F609	R,CARBON FILM 100 1/6W 5
R296	ORD1000F609	R,CARBON FILM 100 1/6W 5
R31	ORD4701F609	R,CARBON FILM 4.7K 1/6W 5
R349	ORN0101H609	R,METAL FILM 1.0 1/2W 5
R350	ORS2701J607	R,METAL FILM OXIDE 2.70K 1W 5%
R351	ORN2701F409	R,METAL FILM 2.70K 1/6W 1%
R352(28")	ORN0151H609	R, FIX METAL FILM 1.5 1/2W 5
"(25")	ORN0121H609	R, FIX METAL FILM 1.2 1/2W 5
R353	ORD5101F609	R,CARBON FILM 5.1K 1/6W 5
R354	ORN6202F409	R,METAL FILM 62K 1/6W 1%
R355	ORS0102K607	R,METAL FILM OXIDE 10 2W 5%
R356	ORD0221F609	R,CARBON FILM 2.2 1/6W 5
R357	ORD0221F609	R,CARBON FILM 2.2 1/6W 5
R358	ORS2200K607	R,METAL FILM OXIDE 220 2W 5%
R37	ORD1000F609	R,CARBON FILM 100 1/6W 5
R38	ORD1000F609	R,CARBON FILM 100 1/6W 5
R40	ORD1000F609	R,CARBON FILM 100 1/6W 5
R401	ORD1001H609	R,CARBON FILM 1.0K 1/2W 5
R402	ORD4301F609	R,CARBON FILM 4.3K 1/6W 5
R405	ORS2702J607	R,METAL FILM OXIDE 27K 1W 5% TA62
R406	ORD2201H609	R,CARBON FILM 2.2K 1/2W 5
R408	ORD2203H609	R,CARBON FILM 220K 1/2W 5
R410	ORS8201J607	R,METAL FILM OXIDE 8.20K 1W 5%
R411	ORD2001H609	R,CARBON FILM 2.0K 1/2W 5
R451	ORD1000F609	R,CARBON FILM 100 1/6W 5
R452	ORS2700J607	R,METAL FILM OXIDE 270 1W 5%
R453	ORS4701J607	R,METAL FILM OXIDE 4.70K 1W 5% TA62
R454	ORD0472H609	R,CARBON FILM 47 1/2W 5
R456	ORD1201F609	R,CARBON FILM 1.2K 1/6W 5
R457	180-B01E	R,RS RECT S 5W 15K J DOUBLE
$\Delta$ R459	ORS1001J607	R,METAL FILM OXIDE 1K 1W 5%
R46	ORD2401F609	R,CARBON FILM 2.4K 1/6W 5



The components identified by shading and mark  $\Delta$  are critical for safety.  
 Replace only with part number specified.

LOCA. NO	PART NO	DESCRIPTION
R47	ORD2401F609	R,CARBON FILM 2.4K 1/6W 5
R48	ORD2401F609	R,CARBON FILM 2.4K 1/6W 5
R49	ORD2401F609	R,CARBON FILM 2.4K 1/6W 5
R502	ORD1000F609	R,CARBON FILM 100 1/6W 5
R503	ORD1000F609	R,CARBON FILM 100 1/6W 5
R509	ORD1000F609	R,CARBON FILM 100 1/6W 5
R510	ORD2200F609	R,CARBON FILM 220 1/6W 5
R511	ORD2200F609	R,CARBON FILM 220 1/6W 5
R512	ORD2200F609	R,CARBON FILM 220 1/6W 5
R516	ORD1000F609	R,CARBON FILM 100 1/6W 5
R518	ORD3001F609	R,CARBON FILM 3.0K 1/6W 5
R519	ORD1200F609	R,CARBON FILM 120 1/6W 5
R52	ORD1000F609	R,CARBON FILM 100 1/6W 5
R521	ORD1003F609	R,CARBON FILM 100K 1/6W 5
R522	ORD3903F609	R,CARBON FILM 390K 1/6W 5
R523	ORD2702F609	R,CARBON FILM 27K 1/6W 5
R524	ORN3902F409	R, METAL FILM 39K 1/6W 1%
R526	ORD1002F609	R,CARBON FILM 10K 1/6W 5
R531	ORD5600F609	R,CARBON FILM 560 1/6W 5
R532	ORD3002F609	R,CARBON FILM 30K 1/6W 5
R533	ORD1103F609	R,CARBON FILM 110K 1/6W 5
R54	ORD1000F609	R,CARBON FILM 100 1/6W 5
R541	ORD1500F609	R,CARBON FILM 150 1/6W 5
R545	ORD1202F609	R,CARBON FILM 12K 1/6W 5
R551	ORD4701F609	R,CARBON FILM 4.7K 1/6W 5
R553	ORD0102F609	R,CARBON FILM 10 1/6W 5
R554	ORD0102F609	R,CARBON FILM 10 1/6W 5
R555	ORD0102F609	R,CARBON FILM 10 1/6W 5
R56	ORD1000F609	R,CARBON FILM 100 1/6W 5
R58	ORD1000F609	R,CARBON FILM 100 1/6W 5
R60	ORD1000F609	R,CARBON FILM 100 1/6W 5
R601	ORD0102F609	R,CARBON FILM 10 1/6W 5
R602	ORD1001F609	R,CARBON FILM 1.0K 1/6W 5
R62	ORD1000F609	R,CARBON FILM 100 1/6W 5
R64	ORD1000F609	R,CARBON FILM 100 1/6W 5
R66	ORD1000F609	R,CARBON FILM 100 1/6W 5
R68	ORD1001F609	R,CARBON FILM 1.0K 1/6W 5
R684	ORD6201F609	R,CARBON FILM 6.2K 1/6W 5
R686	ORD6201F609	R,CARBON FILM 6.2K 1/6W 5
R69	ORD6802F609	R,CARBON FILM 68K 1/6W 5
R691	ORF0102H609	R,FUSIBLE 10 1/2W 5
R70	ORD1500F609	R,CARBON FILM 150 1/6W 5
R701	ORD0102F609	R,CARBON FILM 10 1/6W 5
R702	ORD1000F609	R,CARBON FILM 100 1/6W 5
R707	ORD1000F609	R,CARBON FILM 100 1/6W 5
R709	ORD0102F609	R,CARBON FILM 10 1/6W 5
R71	ORD1001F609	R,CARBON FILM 1.0K 1/6W 5
R710	ORD1000F609	R,CARBON FILM 100 1/6W 5
R711	ORD1000F609	R,CARBON FILM 100 1/6W 5
R712	ORD7500F609	R,CARBON FILM 750 1/6W 5
R713(28")	ORD2701F609	R,CARBON FILM 2.7K 1/6W 5
"(25")	ORD3001F609	R,CARBON FILM 3.0K 1/6W 5

LOCA. NO	PART NO	DESCRIPTION
R715(28")	ORD2701F609	R,CARBON FILM 2.7K 1/6W 5
"(25")	ORD3001F609	R,CARBON FILM 3.0K 1/6W 5
R717(28")	ORD2701F609	R,CARBON FILM 2.7K 1/6W 5
"(25")	ORD3001F609	R,CARBON FILM 3.0K 1/6W 5
R720	ORD0102F609	R,CARBON FILM 10 1/6W 5
R723	ORD1002F609	R,CARBON FILM 10K 1/6W 5
R724	ORD1503F609	R,CARBON FILM 150K 1/6W 5
R725	ORD0102F609	R,CARBON FILM 10 1/6W 5
R73	ORD1000F609	R,CARBON FILM 100 1/6W 5
R801	180-A03J	R,RW RECT G 10W 2.2 J DOUBLE
R803	180-C02L	R,CARBON COMPOSITE 0.47MOHM 1/2 W 10%
R804	ORD1000H609	R,CARBON FILM 100 1/2W 5
R805	ORS2202K607	R,METAL FILM OXIDE 22K 2W 5%
R806	ORS2202K607	R,METAL FILM OXIDE 22K 2W 5%
R807	180-A01D	R,RW ROUND G 2W 0.16 J
R808	ORS0202K607	R,METAL FILM OXIDE 20 2W 5%
R809	ORN0910H609	R,METAL FILM 0.91 1/2W 5
R810	ORS0152K607	R,METAL FILM OXIDE 15 2W 5%
R811	ORD1502H609	R,CARBON FILM 15K 1/2W 5
R812	ORD6801H609	R,CARBON FILM 6.8K 1/2W 5
R813	ORD2001F609	R,CARBON FILM 2.0K 1/6W 5
R814	ORD1001F609	R,CARBON FILM 1.0K 1/6W 5
R815	ORN0910H609	R,METAL FILM 0.91 1/2W 5
R816	ORD5100F609	R,CARBON FILM 510 1/6W 5
R817	ORD5100F609	R,CARBON FILM 510 1/6W 5
R827	ORD2001F609	R,CARBON FILM 2.0K 1/6W 5
R828	ORD7501F609	R,CARBON FILM 7.5K 1/6W 5
R829(28")	ORD4301F609	R,CARBON FILM 4.3K 1/6W 5
"(25")	ORD3301F609	R,CARBON FILM 3.3K 1/6W 5
R831	ORD1502H609	R,CARBON FILM 15K 1/2W 5
R832	ORD1002F609	R,CARBON FILM 10K 1/6W 5
$\Delta$ R837	180-C02H	R,CARBON COMPOSIT C12GK825V(RC 1/2W 8.2M K)
R851	ORD4702F609	R,CARBON FILM 47K 1/6W 5
R852	ORD2401F609	R,CARBON FILM 2.4K 1/6W 5
R853	ORD4701F609	R,CARBON FILM 4.7K 1/6W 5
R855	ORD1001F609	R,CARBON FILM 1.0K 1/6W 5
R901	ORD1000F609	R,CARBON FILM 100 1/6W 5
R902	ORD1201F609	R,CARBON FILM 1.2K 1/6W 5
R903	ORD1001F609	R,CARBON FILM 1.0K 1/6W 5
R904	ORD0562F609	R,CARBON FILM 56 1/6W 5
R905	ORD2000F609	R,CARBON FILM 200 1/6W 5
R908	ORD2003H609	R,CARBON FILM 200K 1/2W 5
R921	ORD1000F609	R,CARBON FILM 100 1/6W 5
R922	ORD0102F609	R,CARBON FILM 10 1/6W 5
R923	ORD1200F609	R,CARBON FILM 120 1/6W 5
R924	ORD7502F609	R,CARBON FILM 75K 1/6W 5
R925	ORS1001H609	R,METAL FILM OXIDE 1.0K 1/2W 5
R926	ORS6801L667	R,METAL FILM OXIDE 6.8K 3W 5
R928	ORS2200H609	R,METAL FILM OXIDE 220 1/2W 5
R941	ORD1000F609	R,CARBON FILM 100 1/6W 5
R942	ORD0102F609	R,CARBON FILM 10 1/6W 5
R943	ORD1200F609	R,CARBON FILM 120 1/6W 5

The components identified by shading and mark  $\Delta$  are critical for safety.  
 Replace only with part number specified.

LOCA. NO	PART NO	DESCRIPTION
R944	ORD9102F609	R,CARBON FILM 91K 1/6W 5
R945	ORS1001H609	R,METAL FILM OXIDE 1.0K 1/2W 5
R946	ORS6801L667	R,METAL FILM OXIDE 6.8K 3W 5
R948	ORS2200H609	R,METAL FILM OXIDE 220 1/2W 5
R950	ORD2204H609	R,CARBON FILM 2.2M 1/2W 5
R961	ORD1000F609	R,CARBON FILM 100 1/6W 5
R962	ORD0102F609	R,CARBON FILM 10 1/6W 5
R963	ORD1200F609	R,CARBON FILM 120 1/6W 5
R964	ORD1003F609	R,CARBON FILM 100K 1/6W 5
R965	ORS1001H609	R,METAL FILM OXIDE 1.0K 1/2W 5
R966	ORS6801L667	R,METAL FILM OXIDE 6.8K 3W 5
R968	ORS2200H609	R,METAL FILM OXIDE 220 1/2W 5
VR101	180-F03H	R,SEMI-FIX(H) EVN-DJAA03 B103
VR102	180-F03J	R,SEMI-FIX(H) EVN-DJAY03 B203
<b>SWITCHES</b>		
SW01	140-315A	SWITCH,TACT VERT
SW02	140-315A	SWITCH,TACT VERT
SW03	140-315A	SWITCH,TACT VERT
SW04	140-315A	SWITCH,TACT VERT
SW05	140-315A	SWITCH,TACT VERT
SW06	140-315A	SWITCH,TACT VERT
$\Delta$ SW801	140-289A	SWITCH,SDDF3PASP013
<b>CRYSTALS &amp; FILTERS</b>		
X01	156-A01P	CRYSTAL 8.000000 16PF 40 OHM BULK
X501	156-001B	CRYSTAL 4.433619MHZ(00384)PHILIPS
X502	156-A01B	CRYSTAL 3.579545 16PF 90 OHM
X601	156-A02M	CRYSTAL 18.432000 10PF 20 OHM BULK
X701	156-A02D	CRYSTAL 13.875000 16PF 30 OHM BULK
Z101	166-250C	FILTER OFWG3962M
Z102	166-A01B	FILTER OFWK3953M
Z103	166-A01T	FILTER OFWK9354M
Z104	166-A01U	FILTER OFWL9454M
Z108	166-274A	FILTER TRAP(40.4)
Z109	166-F01G	FILTER EMI,DSS306-93FZ103N 100V TA
Z110	166-F01G	FILTER EMI,DSS306-93FZ103N 100V TA
Z111	166-F01G	FILTER EMI,DSS306-93FZ103N 100V TA
Z112	166-C04B	FILTER TRAP TPWA03B-TF21(5.5/6.0)
Z113	166-F01D	FILTER EMI,DS306-93
<b>ACCESSORIES</b>		
A1	3828VA0111K	MANUAL,PC73A,LG,IT,13B,16A,W/O DOLBY
A1	3828VA0111P	MANUAL,PC73A,LG,EN,007C TX,399D,W DOLBY
A1	3828VA0111R	MANUAL,PC73A,GS,F,335A,016B,W/O DOLBY
A2	6710V00007C	REMOTE CONTROLLER PC-73A,LG
A2	6710V00007G	REMOTE CONTROLLER PC-73A,GS,W/TXT
<b>MISCELLANEOUS</b>		
P265	106-048A	PRE-AMP SBX-1677-02(38.0KHZ)
RL802	141-038A	RELAY HR-CR7 DC12VG(8.4VMAX)
$\Delta$ RL851	141-018F	RELAY DG5D1-0(M)-2 5V106MA

LOCA. NO	PART NO	DESCRIPTION
SG901	165-004A	SPARK,GAP AG20PT 152F-L3N/S-23
SG921	165-004A	SPARK,GAP AG20PT 152F-L3N/S-23
SK101	381-242A	SOCKET,SCART 21-PIN X 2
SK901	381-226D	SOCKET,CPT PCS628-01S/LESS BULK(NO5)
$\Delta$ TH801	163-054A	THERMISTOR J502P53D140M290S
TU02	113-234B	TUNER UKE9C07DF
$\Delta$ T401	6174Z-6238N	FBT FTMPC11-T6238N
ZN801	164-003D	VARISTOR SVC 561D-14A

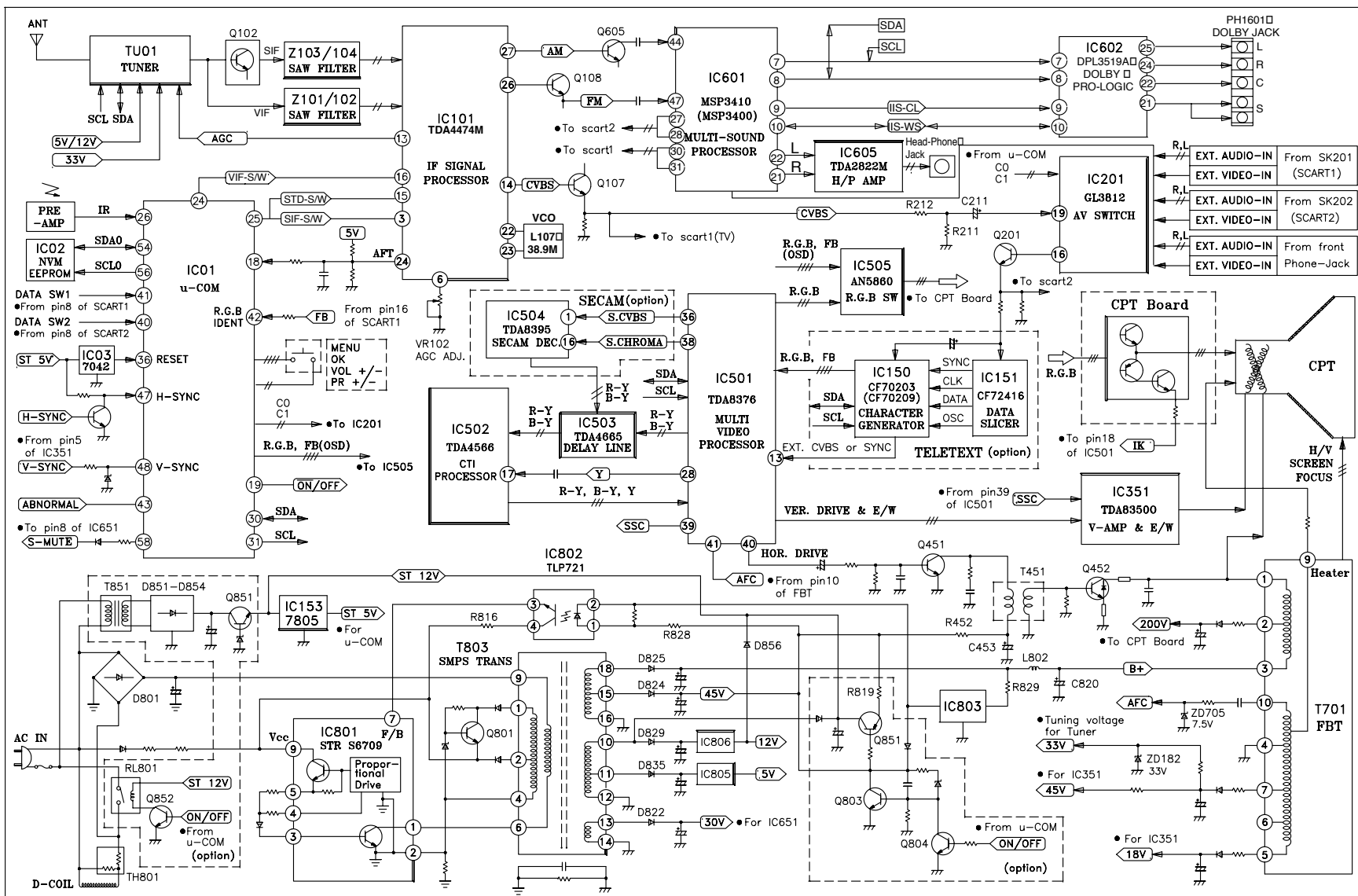
**ADDRESS**

LG Electronics North of England LTD.  
 BRITLEY ROAD, WASHINGTON  
 TYNE & WEAR NE38 9DE  
 UNITED KINGDOM

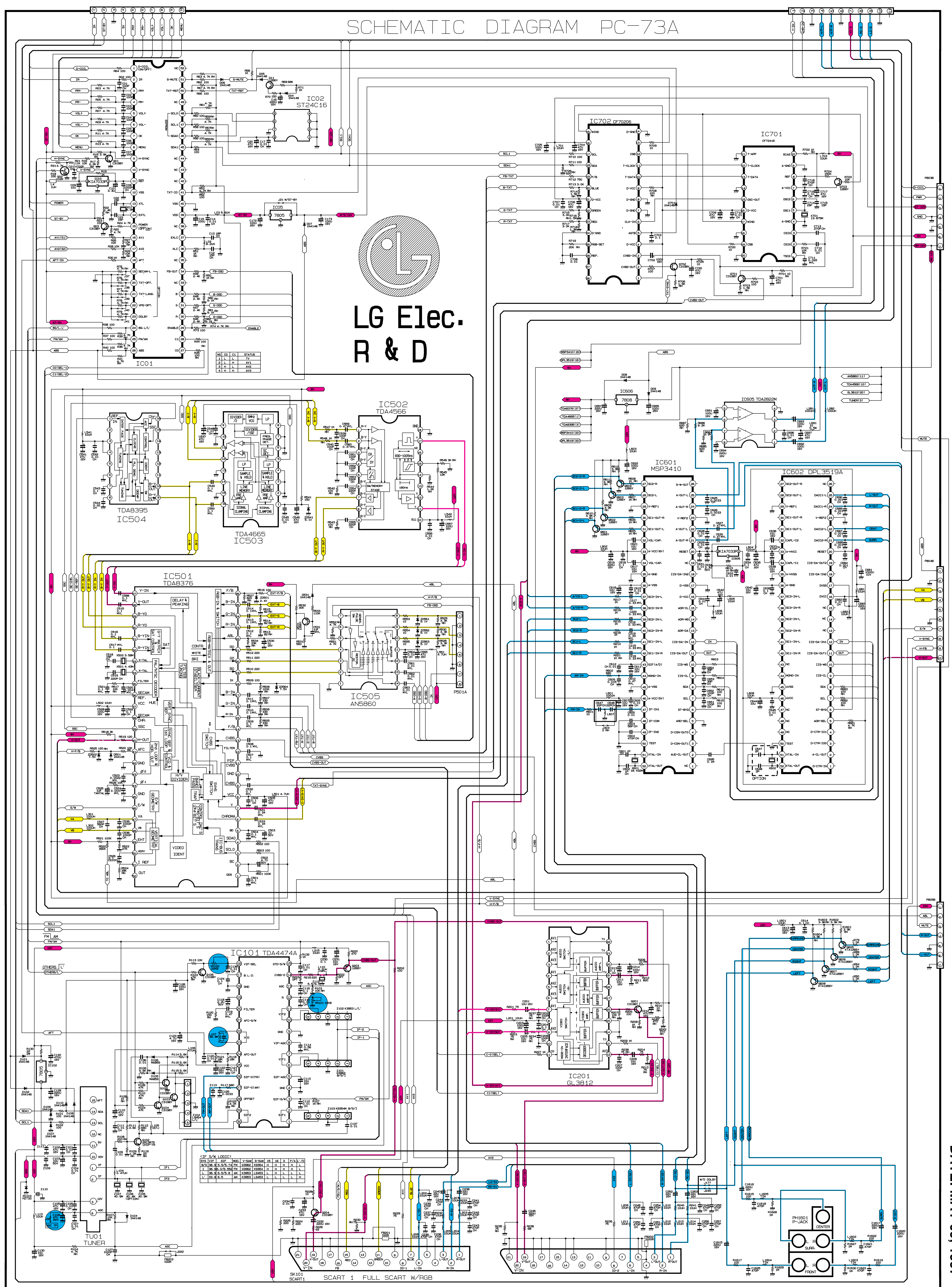
**DEPARTMENT**

LEGNE CTV SPARE PARTS DEPT.  
 TEL : (44-191) 418-3355  
 FAX : (44-191) 418-3351

We are supposed to supply the local parts for CTV spares to you from U. K.  
 In case of the local parts marked with "NE" on your SERVICE MANUAL.  
 Please place an order to the above address in U.K.



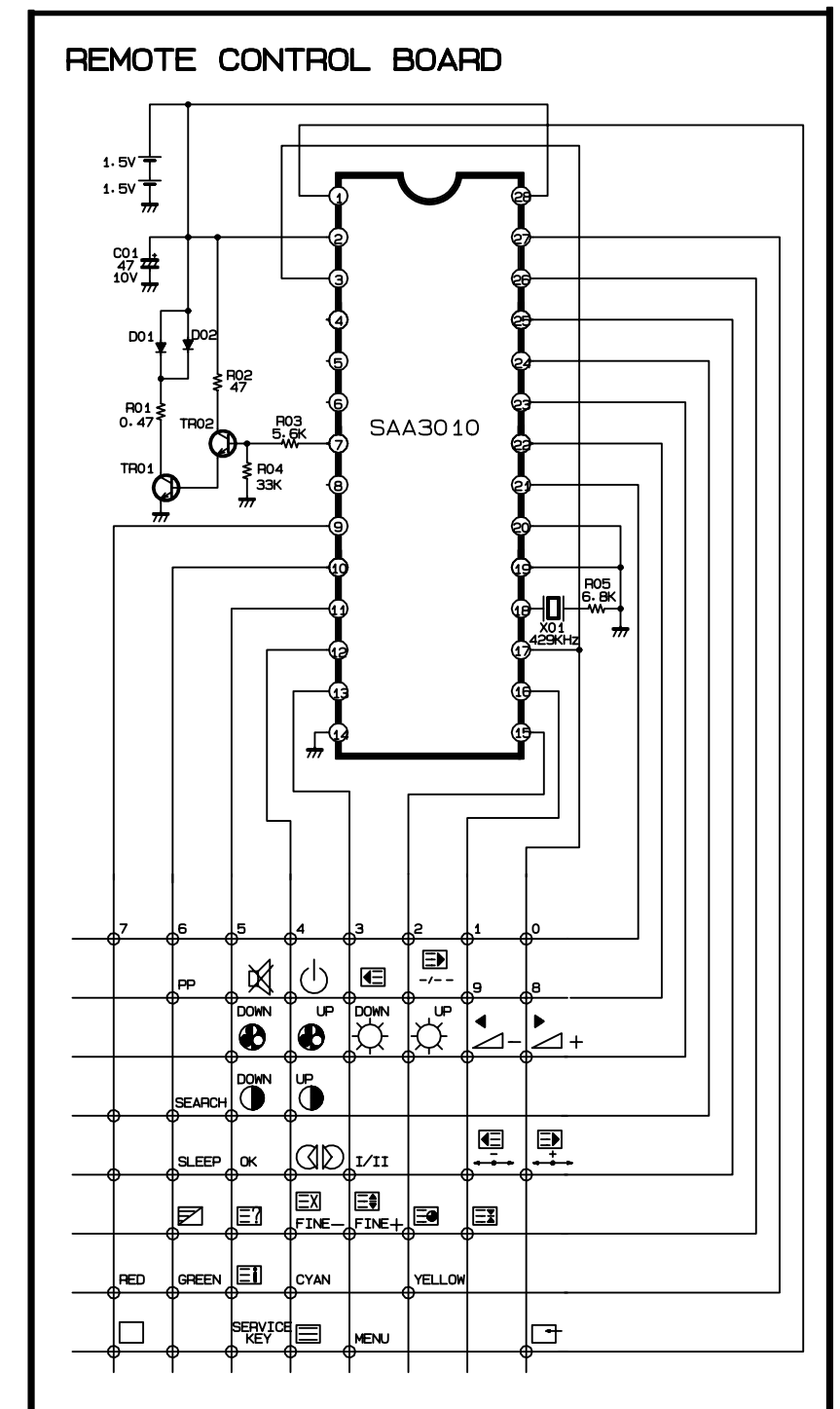
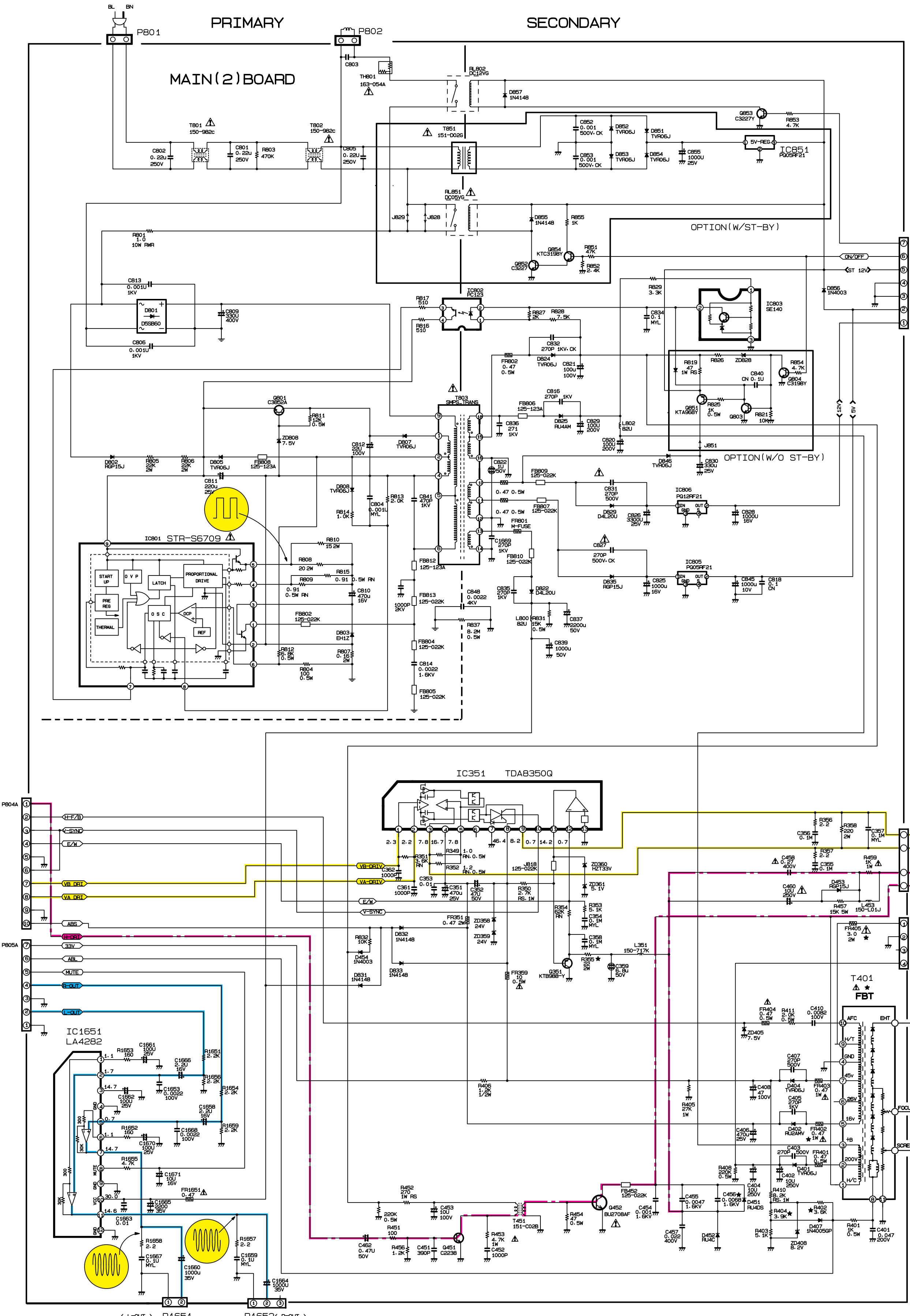
# SCHEMATIC DIAGRAM PC-73A



Service Sheet of PC-73A chassis

P/N: 3854VA0025A-S1  
DATE: MAY 09, 1997

# CIRCUIT DIAGRAM(PC-73A)-2



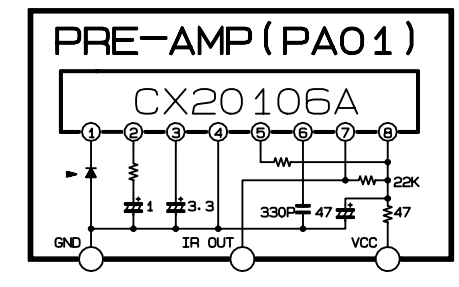
**ADJUSTMENT** (Blue circle)

**POWER** (Pink arrow)

**WAVEFORM** (Yellow circle)

— SIF/SOUND — CVBS/VIDEO — CHROMA —

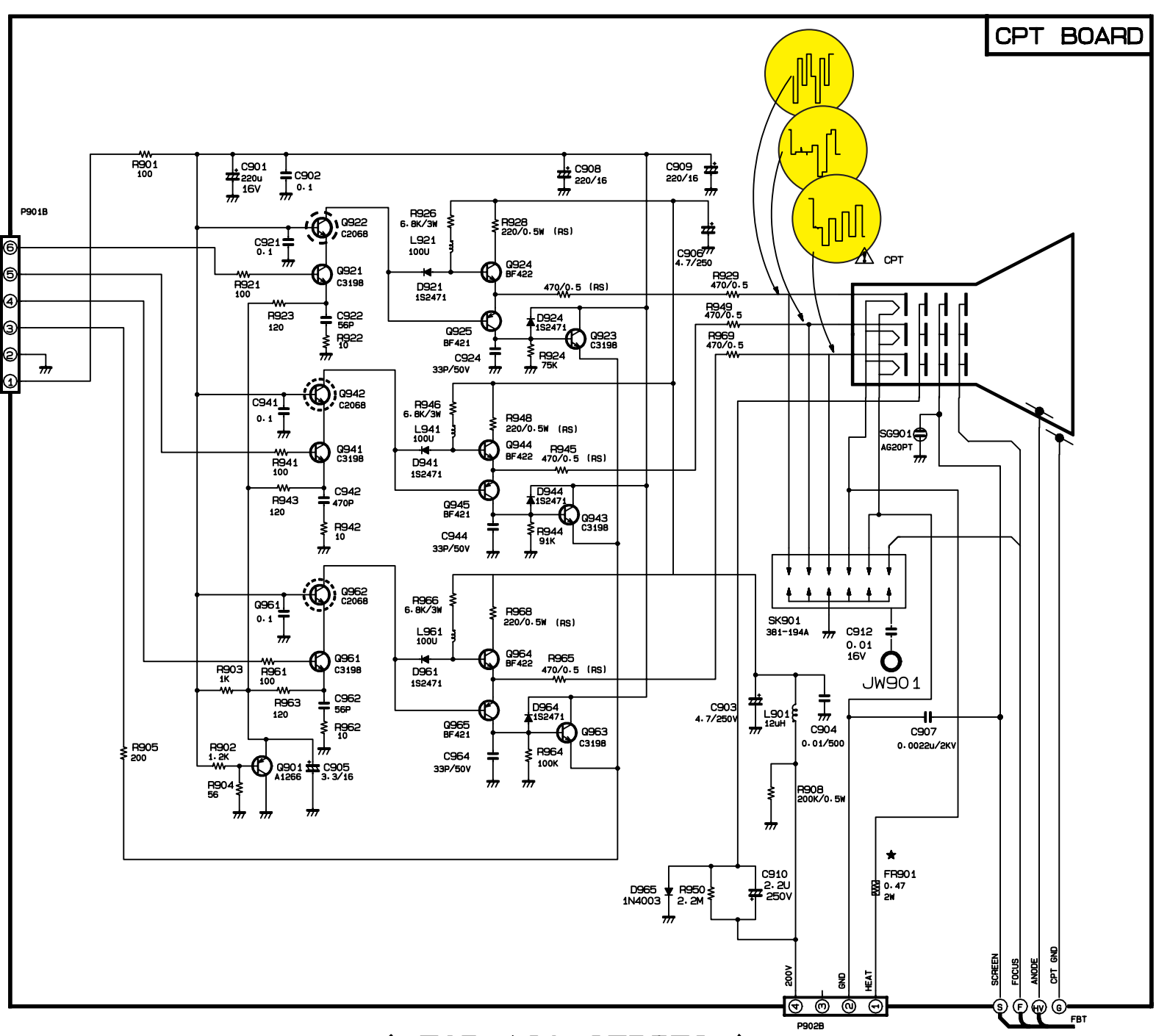
..... HORIZONTAL ..... VERTICAL



**NOTICE**

Since this is basic circuit diagram. The value of components and some partial connection are subject to change for improvement without notice.

The components marked  $\Delta$  conform to VDE or IEC guide-lines and are essential for safe operation of the TV receiver. While those marked  $\Delta$  are required for correct operation. Use specified parts only when replacing.

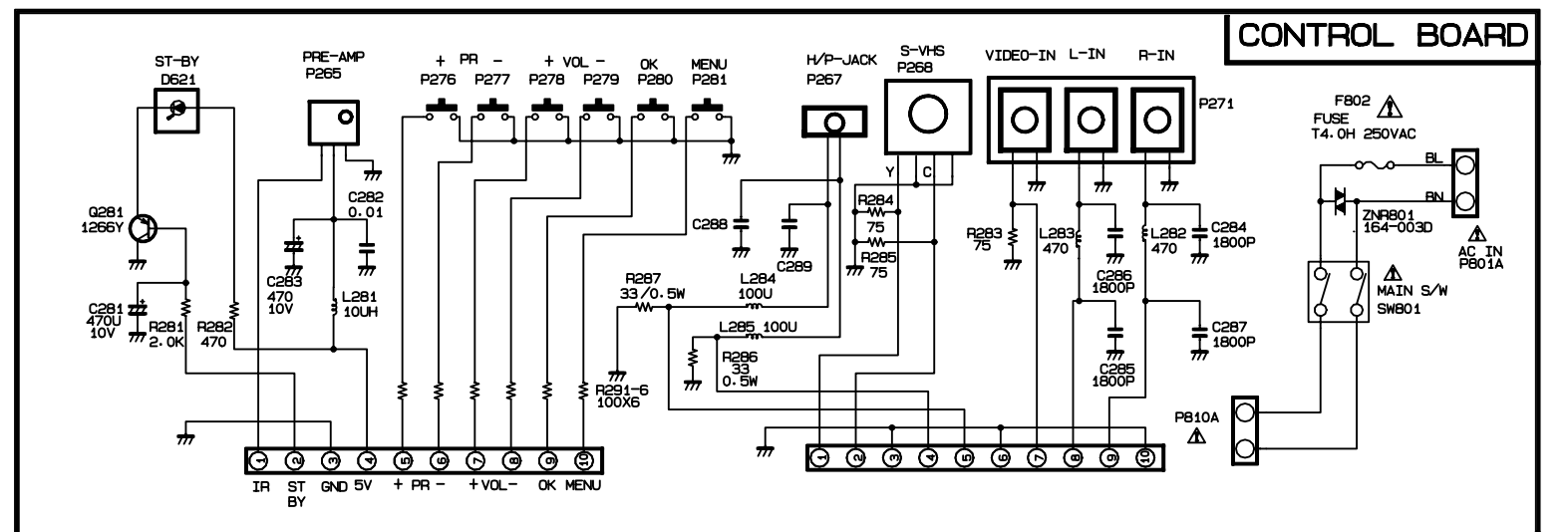


Value of resistor, capacitor and inductor

- Resistances are shown in ohm. K=1.000. M=1.000.000.
- Unless otherwise noted in schematic. All capacitor values less than 1 are expressed in mfd and the values more than 1 in pF.
- Unless otherwise noted in schematic. all inductor values more than 1 are expressed in uH and the values less than 1 in Henry(H).

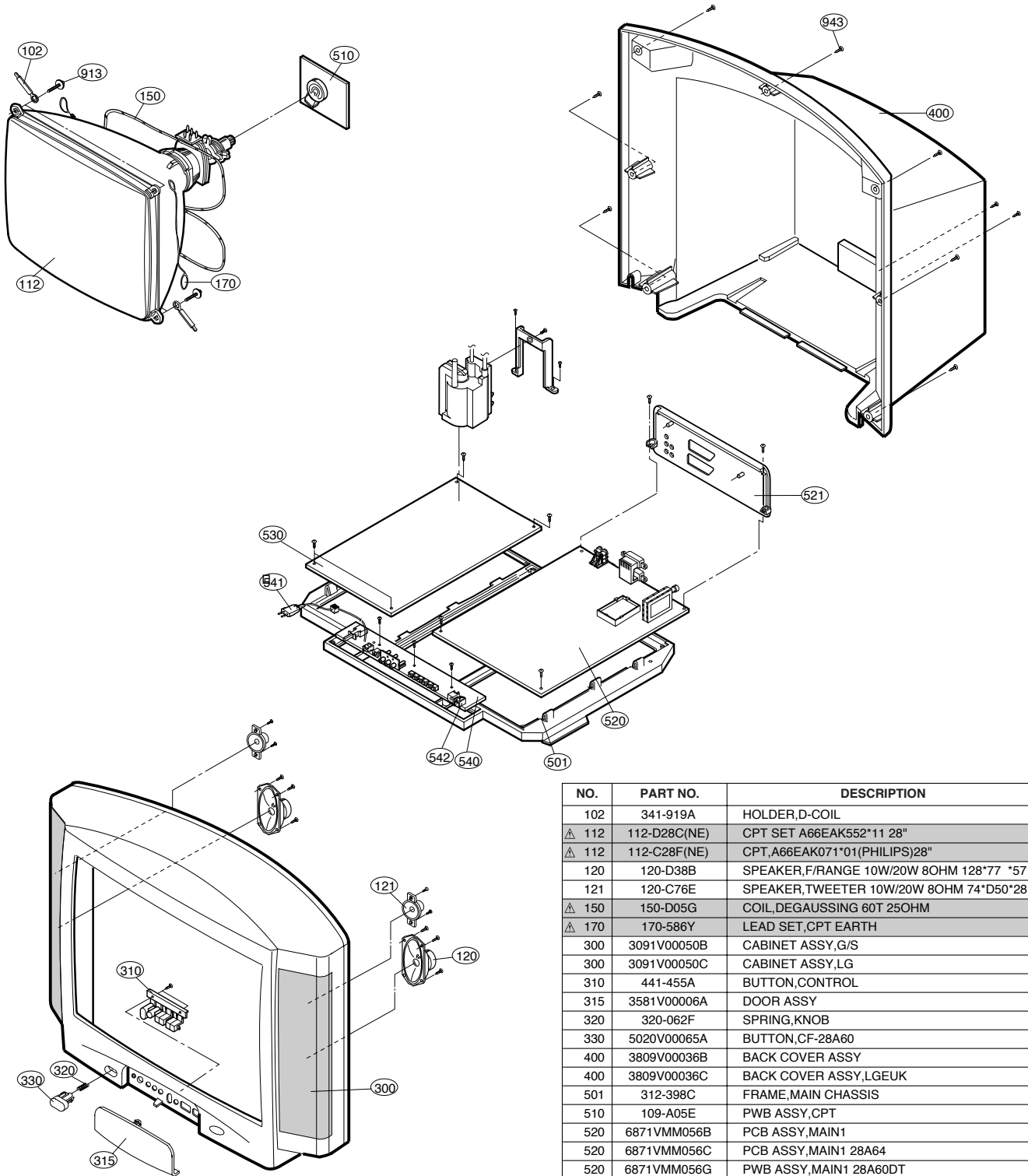
Observation of voltages and waveforms

- Voltages read with VTVM from point to chassis ground. line voltage is 230+/-20% volts. signal pattern is colour-bar.
- The schematic shown is representative only.
- All waveforms are taken using a wide band oscilloscope and a low capacity probe.
- Check FINE TUNING, AGC, CONTRAST, BRIGHTNESS and COLOUR controls for best picture. make sure that COLOUR and BRIGHTNESS are in mid-point and CONTRAST is in 75%.
- Waveforms are taken using a standard colour signal.



★ INCH CONVERSION PARTS

# CF28A64DF EXPLODED VIEW



NO.	PART NO.	DESCRIPTION
102	341-919A	HOLDER,D-COIL
△ 112	112-D28C(NE)	CPT SET A66EAK552*11 28"
△ 112	112-C28F(NE)	CPT,A66EAK071*01(PHILIPS)28"
120	120-D38B	SPEAKER,F/RANGE 10W/20W 8OHM 128*77 *57
121	120-C76E	SPEAKER,TWEETER 10W/20W 8OHM 74*D50*28
△ 150	150-D05G	COIL,DEGAUSSING 60T 25OHM
△ 170	170-586Y	LEAD SET,CPT EARTH
300	3091V00050B	CABINET ASSY,G/S
300	3091V00050C	CABINET ASSY,LG
310	441-455A	BUTTON,CONTROL
315	3581V00006A	DOOR ASSY
320	320-062F	SPRING,KNOB
330	5020V00065A	BUTTON,CF-28A60
400	3809V00036B	BACK COVER ASSY
400	3809V00036C	BACK COVER ASSY,LGEUK
501	312-398C	FRAME,MAIN CHASSIS
510	109-A05E	PWB ASSY,CPT
520	6871VMM056B	PCB ASSY,MAIN1
520	6871VMM056C	PCB ASSY,MAIN1 28A64
520	6871VMM056G	PWB ASSY,MAIN1 28A60DT
520	6871VMM056F	PWB ASSY,MAIN1 28A64DL(W/D,L)
521	3501V00002B	BOARD ASSY
530	6871VDM039A	PWB ASSY,MAIN2
530	6871VMM058B	PWB ASSY,MAIN2 28" NOR.
540	6871VSM082A	PWB ASSY,CONTROL
△ 541	174-322E	CORD,POWER W/FILTER L=400(179B)
△ 541	174-224A	CORD,POWER FOR UK
912	1PTF0403016	SCREW,TRUSS HEAD D4 L14
913	332-229D	SCREW ASSY,HEXAGON HEAD (D7,L28)
943	1PPF0403116	SCREW,PAN HEADD4 L16 MSWR3/BK

# CF28A64DF REPLACEMENT PARTS LIST

The components identified by shading and mark  $\Delta$  are critical for safety.  
Replace only with part number specified.

LOCA. NO	PART NO	DESCRIPTION
<b>IC</b>		
IC01	0ISO861809A	IC, LG8618-09A(CXP864P61S-1)52SD
IC02	0ISG241600A	IC, ST24C16 8D EEPROM(16K)
IC03	0IKE703300B	IC, KIA7033P 3P 3.3V RESET
IC101	0ITF447400A	IC, TDA4474(VIF)
IC102	0ISH052100A	IC, PQ05RF21 4P(TO-220) 5V S/W REG
IC1651	0ISA428200A	IC, LA4282
IC201	0IGS381200A	IC, GL3812(HA11518)
IC351	0IPH835041A	IC, 8350Q/N4 13SIP V/DEF+E/W
IC501	0IPH837600A	IC, TDA8376-N1 52SD MULTI VIDEO P.
IC502	0IPH456620A	IC, TDA4566/V2 18D CTI
IC503	0IPH466500B	IC, TDA4665-V4 16D 1H D/L
IC504	0IPH839520A	IC, TDA8395P/N2 16D SECAM DETECT.
IC505	0IMA586000A	IC, AN5860 14D ANALOG RGB S/W
IC601	0IIT341000H	IC, MSP3410D 52P, SDIP BK B4-VE
IC602	0IIT351900A	IC, DPL3519A(DOLBY PRO LOGIC)
IC605	0ISG282200A	IC, TDA2822M 8D DUAL AUDIO AMP(1W)
IC606	0IKE703300B	IC, KIA7033P 3P 3.3V RESET
IC607	0IKE780800A	IC, KIA7808PI 3P(TO-220IS) 1A, 8V
IC701	0ITI724160A	IC, CF72416N 20D TXT D/SLICER(VPS)
IC702	0ITI702062A	IC, CX70206NW 28DIP TXT RECORDER
$\Delta$ IC801	0ISK670900A	IC, STR/S6709 9S SMPS-CNTR
IC802	0ISH123200B	IC, PC123 FY2PHOTO COUPLER
IC803	0ISK140000A	IC, SE140N 3P 130V ERROR AMP
IC805	0ISH052100A	IC, PQ05RF21 4P(TO-220) 5V S/W REG
IC806	0ISH122100A	IC, PQ12RF21 4P(TO-220) 12V S/W RE
IC851	0ISH052100A	IC, PQ05RF21 4P(TO-220) 5V S/W REG
<b>TRANSISTOR</b>		
Q01	0TR319809AA	TR, KTC3198-TP-Y (KTC1815)KEC
Q02	0TR102009AB	TR, KRC102M, TP(KRC1202), KEC
Q03	0TR319809AA	TR, KTC3198-TP-Y (KTC1815)KEC
Q104	0TR319809AA	TR, KTC3198-TP-Y (KTC1815)KEC
Q105	0TR319809AA	TR, KTC3198-TP-Y (KTC1815)KEC
Q11	0TR126609AA	TR, KTA1266-TP-Y (KTA1015) KEC
Q201	0TR319809AA	TR, KTC3198-TP-Y (KTC1815)KEC
Q203	0TR126609AA	TR, KTA1266-TP-Y (KTA1015) KEC
Q204	0TR319809AA	TR, KTC3198-TP-Y (KTC1815)KEC
Q281	0TR126609AA	TR, KTA1266-TP-Y (KTA1015) KEC
Q351	0TR988000AC	TR, KTB988-Y,W/A(KTB834), KEC
Q451	0TR223800AA	TR, KTC2238A-Y
$\Delta$ Q452	0TR270800AA	TR, BU2708AF BK PHILIPS
Q531	0TR126609AA	TR, KTA1266-TP-Y (KTA1015) KEC
Q601	0TR126609AA	TR, KTA1266-TP-Y (KTA1015) KEC
Q602	0TR126609AA	TR, KTA1266-TP-Y (KTA1015) KEC
Q603	0TR126609AA	TR, KTA1266-TP-Y (KTA1015) KEC
Q604	0TR126609AA	TR, KTA1266-TP-Y (KTA1015) KEC
Q605	0TR126609AA	TR, KTA1266-TP-Y (KTA1015) KEC
Q606	0TR126609AA	TR, KTA1266-TP-Y (KTA1015) KEC
Q607	0TR126609AA	TR, KTA1266-TP-Y (KTA1015) KEC
Q608	0TR126609AA	TR, KTA1266-TP-Y (KTA1015) KEC
Q701	0TR319809AA	TR, KTC3198-TP-Y (KTC1815)KEC

LOCA. NO	PART NO	DESCRIPTION
Q702	0TR319809AA	TR, KTC3198-TP-Y (KTC1815)KEC
Q703	0TR126609AA	TR, KTA1266-TP-Y (KTA1015) KEC
Q801	0TR385200AA	TR, 2SC3852A SANKEN
Q852	0TR322709AA	TR, KTC3227-Y, TP(KTC1627A), KEC
Q853	0TR322709AA	TR, KTC3227-Y, TP(KTC1627A), KEC
Q854	0TR319809AA	TR, KTC3198-TP-Y (KTC1815)KEC
Q901	0TR126609AA	TR, KTA1266-TP-Y (KTA1015) KEC
Q921	0TR319809AA	TR, KTC3198-TP-Y (KTC1815)KEC
Q922	0TR322900AA	TR, KTC3229 (KTC2068), KEC
Q923	0TR319809AA	TR, KTC3198-TP-Y (KTC1815)KEC
Q924	0TR422009CB	TR, BF422L(AMMO)TO-92 TP PHILIPS
Q925	0TR421009CB	TR, BF421L(AMMO)TO-92 TP PHILIPS
Q941	0TR319809AA	TR, KTC3198-TP-Y (KTC1815)KEC
Q942	0TR322900AA	TR, KTC3229 (KTC2068), KEC
Q943	0TR319809AA	TR, KTC3198-TP-Y (KTC1815)KEC
Q944	0TR422009CB	TR, BF422L(AMMO)TO-92 TP PHILIPS
Q945	0TR421009CB	TR, BF421L(AMMO)TO-92 TP PHILIPS
Q961	0TR319809AA	TR, KTC3198-TP-Y (KTC1815)KEC
Q962	0TR322900AA	TR, KTC3229 (KTC2068), KEC
Q963	0TR319809AA	TR, KTC3198-TP-Y (KTC1815)KEC
Q964	0TR422009CB	TR, BF422L(AMMO)TO-92 TP PHILIPS
Q965	0TR421009CB	TR, BF421L(AMMO)TO-92 TP PHILIPS
<b>DIODE</b>		
D04	0DD414809ED	DIODE DS4148
D05	0DD414809ED	DIODE DS4148
D06	0DD414809ED	DIODE DS4148
D07	0DD414809ED	DIODE DS4148
D08	0DD414809ED	DIODE DS4148
D09	0DD414809ED	DIODE DS4148
D101	0DD414809ED	DIODE DS4148
D102	0DD414809ED	DIODE DS4148
D104	0DD414809ED	DIODE DS4148
D105	0DD859009AA	DIODE SILICON MA859
D106	0DD859009AA	DIODE SILICON MA859
D107	0DD414809ED	DIODE DS4148
D109	0DD414809ED	DIODE DS4148
D261	0DD000000BA	DIODE LAMP(DIFFUSION TYPE)
D401	0DD060009AC	DIODE TVR06J 0.6A/600V 250NS
D402	0DD200009AH	DIODE RU2AMV
D404	0DD060009AC	DIODE TVR06J 0.6A/600V 250NS
D451	0DD410000AC	DIODE RU4DS, LF-L1
D452	0DD410000AB	DIODE RU4C, LF-L1
D453	0DD150009CA	DIODE RGP15J
D454	0DD400309AD	DIODE IN4003A RECT
D501	0DD414809ED	DIODE DS4148
D531	0DD414809ED	DIODE DS4148
D701	0DD414809ED	DIODE DS4148
D801	0DD560000AA	DIODE D5SB60 BRIDGE (5A/600V)S.D.G
D802	0DD150009CA	DIODE RGP15J
D803	0DD100009AL	DIODE EH-1ZV
D805	0DD060009AC	DIODE TVR06J 0.6A/600V 250NS
D807	0DD060009AC	DIODE TVR06J 0.6A/600V 250NS

The components identified by shading and mark  $\Delta$  are critical for safety.  
 Replace only with part number specified.

LOCA. NO	PART NO	DESCRIPTION
D808	ODD060009AC	DIODE TVR06J 0.6A/600V 250NS
D822	ODD420000BB	DIODE,D4L20U
D824	ODD060009AC	DIODE TVR06J 0.6A/600V 250NS
D825	ODD410000AD	DIODE,RECTIFIER RU4AM,LF-L1
D829	ODD420000BB	DIODE,D4L20U
D831	ODD414809ED	DIODE DS4148
D832	ODD414809ED	DIODE DS4148
D833	ODD414809ED	DIODE DS4148
D834	ODD414809ED	DIODE DS4148
D835	ODD150009CA	DIODE RGP15J
D851	ODD060009AC	DIODE TVR06J 0.6A/600V 250NS
D852	ODD060009AC	DIODE TVR06J 0.6A/600V 250NS
D853	ODD060009AC	DIODE TVR06J 0.6A/600V 250NS
D854	ODD060009AC	DIODE TVR06J 0.6A/600V 250NS
D855	ODD414809ED	DIODE DS4148
D856	ODD400309AD	DIODE IN4003A RECT
D857	ODD414809ED	DIODE DS4148
D921	ODD247109AA	DIODE 1S2471
D924	ODD247109AA	DIODE 1S2471
D941	ODD247109AA	DIODE,1S2471
D944	ODD247109AA	DIODE,1S2471
D961	ODD247109AA	DIODE,1S2471
D964	ODD247109AA	DIODE,1S2471
D965	ODD400309AD	DIODE,IN4003A RECT
ZD103	ODZ330009BA	DIODE,ZENER HZT33
ZD358	ODZ240009BB	DIODE,ZENER MTZ24B
ZD359	ODZ240009BB	DIODE,ZENER MTZ24B
ZD360	ODZ330009CA	DIODE,ZENER MTZ 33B
ZD361	ODZ510009AB	DIODE,ZENER MTZ5.1B
ZD408	ODZ820009DA	DIODE,ZENER MTZ8.2C 0.5W
ZD501	ODZ240009BC	DIODE,ZENER MTZ2.4B 2.4V
ZD502	ODZ750009AA	DIODE,ZENER MTZ7.5B
ZD541	ODZ510009AB	DIODE,ZENER MTZ5.1B
ZD561	ODZ510009AB	DIODE,ZENER MTZ5.1B
ZD562	ODZ510009AB	DIODE,ZENER MTZ5.1B
ZD563	ODZ510009AB	DIODE,ZENER MTZ5.1B
ZD564	ODZ750009AA	DIODE,ZENER MTZ7.5B
ZD801	ODZ750009AA	DIODE,ZENER MTZ7.5B
ZD808	ODZ750009AA	DIODE,ZENER MTZ7.5B
<b>CAPACITOR</b>		
C09	OCE106DF618	C,ELECTROLYTIC 10UF STD 16V M
C10	OCE335DK618	C,ELECTROLYTIC 3.3UF STD 50V M
C102	OCE476DF618	C,ELECTROLYTIC 47UF STD 16V M
C103	OCE106DK618	C,ELECTROLYTIC 10UF STD 50V M
C105	OCE107DF618	C,ELECTROLYTIC 100UF STD 16V M
C108	OCE476DF618	C,ELECTROLYTIC 47UF STD 16V M
C110	OCE476DF618	C,ELECTROLYTIC 47UF STD 16V M
C113	OCE106DF618	C,ELECTROLYTIC 10UF STD 16V M
C114	OCQ1052K439	C,POLYESTER(MYLAR) 1UF S 50V J
C118	OCE225DK618	C,ELECTROLYTIC 2.2UF STD 50V M
C119	OCQ4742K439	C,POLYESTER(MYLAR) 0.47UF S 50V J

LOCA. NO	PART NO	DESCRIPTION
C122	OCE226DF618	C,ELECTROLYTIC 22UF STD 16V M
C123	OCE475DK618	C,ELECTROLYTIC 4.7UF STD 50V M
C125	OCN3320F569	C,TUBULA(HIGH DIELE) 3300PF 16V K
C130	OCE106DF618	C,ELECTROLYTIC 10UF STD 16V M
C136	OCN1030F679	C,TUBULA(HIGH DIELE) 0.01MF 16V M
C137	OCN1030F679	C,TUBULA(HIGH DIELE) 0.01MF 16V M
C139	OCE227DF618	C,ELECTROLYTIC 220UF STD 16V M
C140	OCE477DF618	C,ELECTROLYTIC 470UF STD 16V M
C15	OCE107DF618	C,ELECTROLYTIC 100UF STD 16V M
C16	OCE227DF618	C,ELECTROLYTIC 220UF STD 16V M
C1615	OCE227DF618	C,ELECTROLYTIC 220UF STD 16V M
C1616	OCE227DF618	C,ELECTROLYTIC 220UF STD 16V M
C1617	OCE227DF618	C,ELECTROLYTIC 220UF STD 16V M
C1619	OCN4710K519	C,TUBULA(HIGH DIELE) 470PF 50V K
C1620	OCE227DF618	C,ELECTROLYTIC 220UF STD 16V M
C1622	OCN4710K519	C,TUBULA(HIGH DIELE) 470PF 50V K
C1624	OCN4710K519	C,TUBULA(HIGH DIELE) 470PF 50V K
C1626	OCN4710K519	C,TUBULA(HIGH DIELE) 470PF 50V K
C1653	OCQ2221N509	C,POLYESTER(MYLAR) 0.0022U 100V K
C1658	OCE2256K618	C,ELECTROLYTIC 2.2MF SMS 50V M
C1659	OCQ1041N509	C,POLYESTER(MYLAR) 0.1MF 100V L
C1660	OCE108DJ618	C,ELECTROLYTIC 1000UF STD 35V M
C1661	OCE107DH618	C,ELECTROLYTIC 100UF STD 25V M
C1662	OCE107DH618	C,ELECTROLYTIC 100UF STD 25V M
C1663	OCK1030K945	C,CERAMIC(HIGH DIELE) 0.01MF 50V Z
C1664	OCE108DJ618	C,ELECTROLYTIC 1000UF STD 35V M
C1665	OCE228DJ650	C,ELECTROLYTIC 2200UF STD 35V M
C1666	OCE2256K618	C,ELECTROLYTIC 2.2MF SMS 50V M
C1667	181-442Z	C,POLYESTER 0.1MF 50V K
C1668	OCQ2221N509	C,POLYESTER(MYLAR) 0.0022U 100V K
C1669	181-091B	C,DE5105 270MF1KV J
C1670	OCE107DH618	C,ELECTROLYTIC 100UF STD 25V M
C1671	OCE106DF618	C,ELECTROLYTIC 10UF STD 16V M
C172	OCE108DD618	C,ELECTROLYTIC 1000UF STD 10V M
C20	OCE476DF618	C,ELECTROLYTIC 47UF STD 16V M
C201	OCE106DF618	C,ELECTROLYTIC 10UF STD 16V M
C203	OCE107DF618	C,ELECTROLYTIC 100UF STD 16V M
C205	OCE106DF618	C,ELECTROLYTIC 10UF STD 16V M
C206	OCE106DF618	C,ELECTROLYTIC 10UF STD 16V M
C211	OCE106DF618	C,ELECTROLYTIC 10UF STD 16V M
C212	OCE476DF618	C,ELECTROLYTIC 47UF STD 16V M
C214	OCE107DF618	C,ELECTROLYTIC 100UF STD 16V M
C215	OCQ3342K439	C,POLYESTER(MYLAR) 0.33UF S 50V J
C216	OCQ3342K439	C,POLYESTER(MYLAR) 0.33UF S 50V J
C217	OCQ3342K439	C,POLYESTER(MYLAR) 0.33UF S 50V J
C218	OCQ3342K439	C,POLYESTER(MYLAR) 0.33UF S 50V J
C219	OCQ3342K439	C,POLYESTER(MYLAR) 0.33UF S 50V J
C22	OCC1500K415	C,CERAMIC(TEMP COMP) 15P 50V J
C220	OCQ3342K439	C,POLYESTER(MYLAR) 0.33UF S 50V J
C23	OCC1500K415	C,CERAMIC(TEMP COMP) 15P 50V J
C230	OCN1030F679	C,TUBULA(HIGH DIELE) 0.01MF 16V M
C231	OCE106DF618	C,ELECTROLYTIC 10UF STD 16V M
C232	OCE227DF618	C,ELECTROLYTIC 220UF STD 16V M



The components identified by shading and mark  $\Delta$  are critical for safety.  
Replace only with part number specified.

LOCA. NO	PART NO	DESCRIPTION
C233	0CE476DF618	C,ELECTROLYTIC 47UF STD 16V M
C234	0CN1030F679	C,TUBULA(HIGH DIELE) 0.01MF 16V M
C238	0CE226DF618	C,ELECTROLYTIC 22UF STD 16V M
C24	0CN1010K519	C,TUBULA(HIGH DIELE) 100PF 50V K
C240	0CE226DF618	C,ELECTROLYTIC 22UF STD 16V M
C246	0CE227DF618	C,ELECTROLYTIC 220UF STD 16V M
C25	0CN1010K519	C,TUBULA(HIGH DIELE) 100PF 50V K
C252	0CE226DF618	C,ELECTROLYTIC 22UF STD 16V M
C253	0CE226DF618	C,ELECTROLYTIC 22UF STD 16V M
C26	0CN1010K519	C,TUBULA(HIGH DIELE) 100PF 50V K
C27	0CN1010K519	C,TUBULA(HIGH DIELE) 100PF 50V K
C28	0CN1010K519	C,TUBULA(HIGH DIELE) 100PF 50V K
C281	0CE475DK618	C,ELECTROLYTIC 4.7UF STD 50V M
C282	0CN1030F679	C,TUBULA(HIGH DIELE) 0.01MF 16V M
C283	0CE477DD618	C,ELECTROLYTIC 470UF STD 10V M
C285	0CN2220F569	C,TUBULA(HIGH DIELE) 2200P 16V K
C287	0CN2220F569	C,TUBULA(HIGH DIELE) 2200P 16V K
C29	0CN1010K519	C,TUBULA(HIGH DIELE) 100PF 50V K
C351	0CE4776H618	C,ELECTROLYTIC 470U SMS 25V M
C352	0CE476BK618	C,ELECTROLYTIC 47UF KME 50V M
C353	0CK1030K945	C,CERAMIC(HIGH DIELE) 0.01MF 50V Z
C354	0CQ1041N509	C,POLYESTER(MYLAR) 0.1MF 100V L
C355	0CQ1041N509	C,POLYESTER(MYLAR) 0.1MF 100V L
C356	0CQ1041N509	C,POLYESTER(MYLAR) 0.1MF 100V L
C357	0CQ1041N509	C,POLYESTER(MYLAR) 0.1MF 100V L
C358	0CQ1041N509	C,POLYESTER(MYLAR) 0.1MF 100V L
C359	0CE6851K652	C,ELECTROLYTIC 6.8UF SM 50V M
C361	0CK1020K515	C,CERAMIC(HIGH DIELE) 1000PF 500V K
C362	0CK1020K515	C,CERAMIC(HIGH DIELE) 1000PF 500V K
C401	181-009V	C,PP 200V 0.047UF K
C402	0CE106DR618	C,ELECTROLYTIC 10UF STD 250V M
C403	0CK2710W515	C,CERAMIC(HIGH DIELE) 270P 500V K
C404	0CE106DR618	C,ELECTROLYTIC 10UF STD 250V M
C405	181-091B	C,DE5105 270MF1KV J
C406	0CE4776H618	C,ELECTROLYTIC 470U SMS 25V M
C407	0CK2710W515	C,CERAMIC(HIGH DIELE) 270P 500V K
C408	0CE4766N618	C,ELECTROLYTIC 47U SMS 100V M
C410	0CQ8221N519	C,POLYESTER(MYLAR) 0.0082U 100V K
C451	0CK3910K515	C,CERAMIC(HIGH DIELE) 390P 50V K
C452	0CQ1021N509	C,POLYESTER(MYLAR) 0.001U 100V K
C453	0CE106DN618	C,ELECTROLYTIC 10UF STD 100V M
C454	181-011B	C,PP 1600V 0.001UF J *28A60
"	181-014Y	C,MPP 1.6KV 0.005UF J *28A64
C455	181-014B	C,MPP 1600V 0.0047UF J *28A60
"	181-014C	C,MPP 1600V 0.0056UF J *28A64
C456	181-014F	C,MPP 1600V 0.0068UF J *28A60
"	181-014C	C,MPP 1600V 0.0056UF J *28A64
C457	181-005H	C,PE 400V 0.022UF K(S;7.5)
$\Delta$ C458	181-013N	C,MPP 400V 0.27UF J *28A60
$\Delta$ "	181-038D	C,MPP 400V 0.24MF J*28A64
$\Delta$ C460	0CE106BR618	C,ELECTROLYTIC 10UF KME 250V M
C462	0CE474DK618	C,ELECTROLYTIC 0.47UF STD 50V M
C501	0CQ1042K439	C,POLYESTER(MYLAR) 0.1UF S 50V J

LOCA. NO	PART NO	DESCRIPTION
C502	0CE475DK618	C,ELECTROLYTIC 4.7UF STD 50V M
C503	0CE105DK618	C,ELECTROLYTIC 1UF STD 50V M
C504	0CQ1042K439	C,POLYESTER(MYLAR) 0.1UF S 50V J
C505	0CE476DF618	C,ELECTROLYTIC 47UF STD 16V M
C507	0CQ1042K439	C,POLYESTER(MYLAR) 0.1UF S 50V J
C508	0CQ1042K439	C,POLYESTER(MYLAR) 0.1UF S 50V J
C509	0CQ1042K439	C,POLYESTER(MYLAR) 0.1UF S 50V J
C510	0CQ1042K439	C,POLYESTER(MYLAR) 0.1UF S 50V J
C511	0CQ1042K439	C,POLYESTER(MYLAR) 0.1UF S 50V J
C512	0CQ1042K439	C,POLYESTER(MYLAR) 0.1UF S 50V J
C513	0CQ1042K439	C,POLYESTER(MYLAR) 0.1UF S 50V J
C514	0CQ1042K439	C,POLYESTER(MYLAR) 0.1UF S 50V J
C515	0CQ1042K439	C,POLYESTER(MYLAR) 0.1UF S 50V J
C516	0CQ1042K439	C,POLYESTER(MYLAR) 0.1UF S 50V J
C517	0CQ1042K439	C,POLYESTER(MYLAR) 0.1UF S 50V J
C520	0CQ4721N509	C,POLYESTER(MYLAR) 0.0047U 100V K
C521	0CQ1042K439	C,POLYESTER(MYLAR) 0.1UF S 50V J
C523	0CQ2221N509	C,POLYESTER(MYLAR) 0.0022U 100V K
C524	0CQ4721N509	C,POLYESTER(MYLAR) 0.0047U 100V K
C525	181-027C	C,TANTAL 25V 1.0UF
C526	0CQ1041N455	C,POLYESTER(MYLAR) 0.1UF 100V J
C528	0CE107DF618	C,ELECTROLYTIC 100UF STD 16V M
C530	0CE105DK618	C,ELECTROLYTIC 1UF STD 50V M
C531	0CQ1052K439	C,POLYESTER(MYLAR) 1UF S 50V J
C532	0CQ1042K439	C,POLYESTER(MYLAR) 0.1UF S 50V J
C533	0CQ1042K439	C,POLYESTER(MYLAR) 0.1UF S 50V J
C534	0CQ1042K439	C,POLYESTER(MYLAR) 0.1UF S 50V J
C541	0CE476DF618	C,ELECTROLYTIC 47UF STD 16V M
C546	0CE476DF618	C,ELECTROLYTIC 47UF STD 16V M
C547	0CE476DF618	C,ELECTROLYTIC 47UF STD 16V M
C549	0CQ1042K439	C,POLYESTER(MYLAR) 0.1UF S 50V J
C550	0CQ1042K439	C,POLYESTER(MYLAR) 0.1UF S 50V J
C557	0CE107DF618	C,ELECTROLYTIC 100UF STD 16V M
C559	0CQ4742K439	C,POLYESTER(MYLAR) 0.47UF S 50V J
C560	0CQ4742K439	C,POLYESTER(MYLAR) 0.47UF S 50V J
C561	0CQ1031N509	C,POLYESTER(MYLAR) 0.01U 100V K
C562	0CQ1031N509	C,POLYESTER(MYLAR) 0.01U 100V K
C563	0CQ1031N509	C,POLYESTER(MYLAR) 0.01U 100V K
C565	0CE476DF618	C,ELECTROLYTIC 47UF STD 16V M
C588	0CQ1042K439	C,POLYESTER(MYLAR) 0.1UF S 50V J
C605	0CX5600K409	C,TUBULA(T.C) 56P 50V J
C607	0CE106DF618	C,ELECTROLYTIC 10UF STD 16V M
C610	0CQ4742K439	C,POLYESTER(MYLAR) 0.47UF S 50V J
C611	0CE106DF618	C,ELECTROLYTIC 10UF STD 16V M
C613	0CE227DF618	C,ELECTROLYTIC 220UF STD 16V M
C616	0CE106DF618	C,ELECTROLYTIC 10UF STD 16V M
C617	0CE106DF618	C,ELECTROLYTIC 10UF STD 16V M
C619	0CE227DF618	C,ELECTROLYTIC 220UF STD 16V M
C621	0CE106DF618	C,ELECTROLYTIC 10UF STD 16V M
C622	0CE107DF618	C,ELECTROLYTIC 100UF STD 16V M
C627	0CQ4742K439	C,POLYESTER(MYLAR) 0.47UF S 50V J
C630	0CQ4742K439	C,POLYESTER(MYLAR) 0.47UF S 50V J
C632	0CE335DK618	C,ELECTROLYTIC 3.3UF STD 50V M
C635	0CE476DF618	C,ELECTROLYTIC 47UF STD 16V M

The components identified by shading and mark  $\Delta$  are critical for safety. Replace only with part number specified.

LOCA. NO	PART NO	DESCRIPTION
C636	0CE106DF618	C,ELECTROLYTIC 10UF STD 16V M
C638	0CE106DF618	C,ELECTROLYTIC 10UF STD 16V M
C640	0CE106DF618	C,ELECTROLYTIC 10UF STD 16V M
C642	0CE476DF618	C,ELECTROLYTIC 47UF STD 16V M
C644	0CE476DF618	C,ELECTROLYTIC 47UF STD 16V M
C655	0CE227DF618	C,ELECTROLYTIC 220UF STD 16V M
C657	0CE477DF618	C,ELECTROLYTIC 470UF STD 16V M
C681	0CE108DD618	C,ELECTROLYTIC 1000UF STD 10V M
C683	0CE227DF618	C,ELECTROLYTIC 220UF STD 16V M
C691	0CE107DF618	C,ELECTROLYTIC 100UF STD 16V M
C692	0CE107DF618	C,ELECTROLYTIC 100UF STD 16V M
C693	0CE107DF618	C,ELECTROLYTIC 100UF STD 16V M
C694	0CE107DF618	C,ELECTROLYTIC 100UF STD 16V M
C695	0CN1030F679	C,TUBULA(HIGH DIELE) 0.01MF 16V M
C697	0CE227DF618	C,ELECTROLYTIC 220UF STD 16V M
C701	0CE476DF618	C,ELECTROLYTIC 47UF STD 16V M
C702	0CE107DF618	C,ELECTROLYTIC 100UF STD 16V M
C703	0CQ1042K439	C,POLYESTER(MYLAR) 0.1UF S 50V J
C704	0CE476DF618	C,ELECTROLYTIC 47UF STD 16V M
C705	0CE107DF618	C,ELECTROLYTIC 100UF STD 16V M
C706	0CE476DF618	C,ELECTROLYTIC 47UF STD 16V M
C708	0CQ1032K439	C,POLYESTER(MYLAR) 0.01UF S 50V J
C709	0CE476DF618	C,ELECTROLYTIC 47UF STD 16V M
C711	0CQ2232K439	C,POLYESTER(MYLAR) 0.022UF S 50V J
C714	0CC1500K415	C,CERAMIC(TEMP COMP) 15P 50V J
C715	0CC1500K415	C,CERAMIC(TEMP COMP) 15P 50V J
C717	0CE476DF618	C,ELECTROLYTIC 47UF STD 16V M
C720	0CE476DF618	C,ELECTROLYTIC 47UF STD 16V M
C801	0CQZVBK003C	C,POLYESTER B81133-C1224-M000
C802	0CQZVBK003C	C,POLYESTER B81133-C1224-M000
C804	0CK1020K515	C,CERAMIC(HIGH DIELE) 1000PF 500V K
C805	0CQZVBK003C	C,POLYESTER B81133-C1224-M000
C806	181-091D	C,DE0905 R 102K 1KV
C808	181-001H	C,AL. ELECTROLYTIC CE 400V 330UF M
C810	0CE477DF618	C,ELECTROLYTIC 470UF STD 16V M
C811	0CE227BH618	C,ELECTROLYTIC 220UF KME 25V M
C812	0CE226BN618	C,ELECTROLYTIC 22UF KME 100V M
C813	181-091D	C,DE0905 R 102K 1KV
C814	181-014S	C,MPP 2000V 0.0022UF J
C816	181-091B	C,DE5105 270MF1KV J
C818	0CN1040K949	C,TUBULA(HIGH DIELE) 0.1M 50V Z
C820	0CE107BQ650	C,ELECTROLYTIC 100U KME 200V M
C821	0CE107DN618	C,ELECTROLYTIC 100UF STD 100V M
C822	0CE1051K636	C,ELECTROLYTIC 1UF SM 50V M
C825	0CE108DF618	C,ELECTROLYTIC 1000UF STD 16V M
C826	0CE3386H610	C,ELECTROLYTIC 3300M SMS 25V M
$\Delta$ C827	0CK2710W515	C,CERAMIC(HIGH DIELE) 270P 500V K
C828	0CE108DF618	C,ELECTROLYTIC 1000UF STD 16V M
C829	181-003H	C,AL.ELECTROLYTIC 200V 100UF M HR(85)
$\Delta$ C831	0CK2710W515	C,CERAMIC(HIGH DIELE) 270P 500V K
C832	181-091B	C,DE5105 270MF1KV J
C834	0CQ1041N509	C,POLYESTER(MYLAR) 0.1MF 100V L

LOCA. NO	PART NO	DESCRIPTION
C835	181-091B	C,DE5105 270MF1KV J
C836	181-091B	C,DE5105 270MF1KV J
C837	0CE228DK650	C,ELECTROLYTIC 2200UF STD 50V M
C839	0CE108DK61A	C,ELECTROLYTIC 1000UF STD 50V M
C841	181-091G	C,DE0907 R471K 2K
C842	181-091J	C,DE1107 R 821K 2KV TP7.5
C845	0CE108DD618	C,ELECTROLYTIC 1000UF STD 10V M
C848	181-120E	C,ACT 4KV E 222M FL10
C852	0CK1020W515	C,CERAMIC(HIGH DIELE) 1000PF 500V K
C853	0CK1020W515	C,CERAMIC(HIGH DIELE) 1000PF 500V K
C855	0CE108DH618	C,ELECTROLYTIC 1000UF STD 25V M
C901	0CE227DF618	C,ELECTROLYTIC 220UF STD 16V M
C902	0CK1040K945	C,CERAMIC(HIGH DIELE) 0.1M 50V Z
C903	0CE475DR618	C,ELECTROLYTIC 4.7UF STD 250V M
C905	0CE335DK618	C,ELECTROLYTIC 3.3UF STD 50V M
C906	0CE475DR618	C,ELECTROLYTIC 4.7UF STD 250V M
C907	181-434K	CAPACITOR CK45B3D222KY LEAD 4.5
C908	0CE227DF618	C,ELECTROLYTIC 220UF STD 16V M
C909	0CE227DF618	C,ELECTROLYTIC 220UF STD 16V M
C910	0CE225DR618	C,ELECTROLYTIC 2.2UF STD 250V M
C912	0CN1030F679	C,TUBULA(HIGH DIELE) 0.01MF 16V M
C921	0CK1040K945	C,CERAMIC(HIGH DIELE) 0.1M 50V Z
C922	0CN5610K519	C,TUBULA(HIGH DIELE) 560P 50V K
C924	0CC3300K415	C,CERAMIC(TEMP COMP) 33P 50V J
C941	0CK1040K945	C,CERAMIC(HIGH DIELE) 0.1M 50V Z
C942	0CN4710K519	C,TUBULA(HIGH DIELE) 470PF 50V K
C944	0CC3300K415	C,CERAMIC(TEMP COMP) 33P 50V J
C961	0CK1040K945	C,CERAMIC(HIGH DIELE) 0.1M 50V Z
C962	0CN5610K519	C,TUBULA(HIGH DIELE) 560P 50V K
C964	0CC3300K415	C,CERAMIC(TEMP COMP) 33P 50V J
<b>COIL &amp; TRANSFORMER</b>		
FB1601	125-022K	CORE,FERRITE 1UH
FB452	125-022K	CORE,FERRITE 1UH
FB801	125-123A	CORE,FERRITE BFD3565R2F
FB802	125-022K	CORE,FERRITE 1UH
FB804	125-022K	CORE,FERRITE 1UH
FB805	125-022K	CORE,FERRITE 1UH
FB806	125-123A	CORE,FERRITE BFD3565R2F
FB807	125-022K	CORE,FERRITE 1UH
FB808	125-123A	CORE,FERRITE BFD3565R2F
FB810	125-022K	CORE,FERRITE 1UH
FB811	125-123A	CORE,FERRITE BFD3565R2F
FB813	125-022K	CORE,FERRITE 1UH
J306	125-022K	CORE,FERRITE 1UH
J818	125-022K	CORE,FERRITE 1UH
L02	0LA0821K119	INDUCTOR,8.2UH K
L03	0LA0561K119	INDUCTOR,5.6UH K
L104	150-C01F	COIL,CHOKE 0.85UH A 1105
L105	150-C01G	COIL,CHOKE 1.0UH A 1105
L106	0LA0472K119	INDUCTOR,47UH K
L107	150-E11G	COIL,VAR,38.9MHZ(VCO)

The components identified by shading and mark  $\Delta$  are critical for safety.  
Replace only with part number specified.

LOCA. NO	PART NO	DESCRIPTION
L110	0LA0821K119	INDUCTOR,8.2UH K
L113	0LA0102K119	INDUCTOR,10UH K
L1601	0LA0102K119	INDUCTOR,10UH K
L201	0LA0102K119	INDUCTOR,10UH K
L202	0LA0102K119	INDUCTOR,10UH K
L203	0LA0102K119	INDUCTOR,10UH K
L204	0LA0102K119	INDUCTOR,10UH K
L205	0LA0102K119	INDUCTOR,10UH K
L206	0LA0102K119	INDUCTOR,10UH K
L207	0LA0102K119	INDUCTOR,10UH K
L209	0LA0102K119	INDUCTOR,10UH K
L210	0LA0102K119	INDUCTOR,10UH K
L211	0LA0102K119	INDUCTOR,10UH K
L212	0LA0102K119	INDUCTOR,10UH K
L213	0LA0102K119	INDUCTOR,10UH K
L214	0LA0102K119	INDUCTOR,10UH K
L215	0LA0102K119	INDUCTOR,10UH K
L281	0LA1000K119	INDUCTOR,100UH K
L282	0LA1000K119	INDUCTOR,100UH K
L284	0LA1000K119	INDUCTOR,100UH K
L285	0LA1000K119	INDUCTOR,100UH K
L301	0LA1000K119	INDUCTOR,100UH K
L302	0LA1000K119	INDUCTOR,100UH K
L351	150-717K	COIL,CHOKE 1.1MH *28A60
"	150-717J	COIL,CHOKE 560UH(E/W) *28A64
L4	125-022K	CORE,FERRITE 1UH
L453	150-L01J	COIL,H-LINEARITY 27UH
L501	0LA0471K119	INDUCTOR,4.7UH K
L502	0LA0102K119	INDUCTOR,10UH K
L541	0LA0102K119	INDUCTOR,10UH K
L542	0LA0102K119	INDUCTOR,10UH K
L551	0LA0471K119	INDUCTOR,4.7UH K
L601	0LA1000K119	INDUCTOR,100UH K
L602	0LA0102K119	INDUCTOR,10UH K
L603	0LA0102K119	INDUCTOR,10UH K
L604	0LA1000K119	INDUCTOR,100UH K
L605	0LA0102K119	INDUCTOR,10UH K
L608	0LA0102K119	INDUCTOR,10UH K
L609	0LA0102K119	INDUCTOR,10UH K
L681	0LA0102K119	INDUCTOR,10UH K
L682	0LA0102K119	INDUCTOR,10UH K
L701	0LA0102K119	INDUCTOR,10UH K
L703	0LA0102K119	INDUCTOR,10UH K
L800	150-C02F	COIL,CHOKE 82UH R1217
L802	150-C02F	COIL,CHOKE 82UH R1217
L901	0LA0102K139	INDUCTOR,10UH K
L921	0LA1000K139	INDUCTOR,100UH K
L941	0LA1000K139	INDUCTOR,100UH K
L961	0LA1000K139	INDUCTOR,100UH K
R232	0LA0102K119	INDUCTOR,10UH K
R233	0LA0102K119	INDUCTOR,10UH K
R240	0LA0102K119	INDUCTOR,10UH K
R241	0LA0102K119	INDUCTOR,10UH K

LOCA. NO	PART NO	DESCRIPTION
$\Delta$ T401	6174Z-6238N	FBT,FTMPC11-T6238N
$\Delta$ T451	151-C02B	TRANSFORMER,H-DRIVE,EI-19
$\Delta$ T801	150-F06J	COIL,LINE FILTER,18MH SQE2930
$\Delta$ T802	150-F06J	COIL,LINE FILTER,18MH SQE2930
$\Delta$ T803	151-A01X	TRANSFORMER,SMPS COIL EER5345 STR-S6709 N
$\Delta$ T851	151-D02G	TRANSFORMER,ST-BY EI-35
<b>JACK &amp; CONNECTOR</b>		
PH1601	380-392B	JACK,RCA DOLBY OUT(5P)
P267	380-068B	JACK,EARPHONE WITH SW STEREO 3.5
P268	380-394A	JACK,DIN(SW LESS) PJ6030
P270	380-389B	JACK,A/V 3P (WITH SWITCH)
P251B	387-812J	CONNECTOR ASSY,YJN250 10P
P252B	387-812J	CONNECTOR ASSY,YJN250 10P
P801A	387-552M	CONNECTOR ASSY,2P INS
<b>RESISTOR</b>		
FR351	ORF0470J607	R,FUSIBLE 0.47 1W 5%
$\Delta$ FR359	ORF0102H609	R,FUSIBLE 10 1/2W 5
FR401	ORF0470H609	R,FUSIBLE 0.47 1/2W 5
$\Delta$ FR402	180-D02C	R,FUSIBLE 0.47 2W J
$\Delta$ FR403	ORF0470J607	R,FUSIBLE 0.47 1W 5%
$\Delta$ FR404	ORF0470H609	R,FUSIBLE 0.47 1/2W 5
$\Delta$ FR405	180-D02P	R,RNF RND(S) CR 2W 3.0 J *28A60
$\Delta$ "	180-D02N	R,RNF RND(S) CR 2W 2.4 J *28A64
FR802	ORF0470H609	R,FUSIBLE 0.47 1/2W 5
FR803	ORF0470H609	R,FUSIBLE 0.47 1/2W 5
L282	ORD4700F609	R,CARBON FILM 470 1/6W 5
L283	ORD4700F609	R,CARBON FILM 470 1/6W 5
R02	ORD1000F609	R,CARBON FILM 100 1/6W 5
R03	ORD4701F609	R,CARBON FILM 4.7K 1/6W 5
R05	ORD4701F609	R,CARBON FILM 4.7K 1/6W 5
R07	ORD4701F609	R,CARBON FILM 4.7K 1/6W 5
R09	ORD4701F609	R,CARBON FILM 4.7K 1/6W 5
R101	ORD1000F609	R,CARBON FILM 100 1/6W 5
R102	ORD1000F609	R,CARBON FILM 100 1/6W 5
R11	ORD4701F609	R,CARBON FILM 4.7K 1/6W 5
R111	ORD3601F609	R,CARBON FILM 3.6K 1/6W 5
R113	ORD1002F609	R,CARBON FILM 10K 1/6W 5
R114	ORD5601F609	R,CARBON FILM 5.6K 1/6W 5
R115	ORD5601F609	R,CARBON FILM 5.6K 1/6W 5
R116	ORD5601F609	R,CARBON FILM 5.6K 1/6W 5
R117	ORD6800F609	R,CARBON FILM 680 1/6W 5
R124	ORD4702F609	R,CARBON FILM 47K 1/6W 5
R125	ORD1001F609	R,CARBON FILM 1.0K 1/6W 5
R126	ORD4702F609	R,CARBON FILM 47K 1/6W 5
R13	ORD4701F609	R,CARBON FILM 4.7K 1/6W 5
R130	ORS0222K607	R,METAL FILM OXIDE 22 2W 5%
R132	ORD1001F609	R,CARBON FILM 1.0K 1/6W 5
R16	ORD1002F609	R,CARBON FILM 10K 1/6W 5
R1615	ORD1000F609	R,CARBON FILM 100 1/6W 5

The components identified by shading and mark  $\Delta$  are critical for safety. Replace only with part number specified.

LOCA. NO	PART NO	DESCRIPTION
R1617	0RD1000F609	R,CARBON FILM 100 1/6W 5
R1619	0RD1000F609	R,CARBON FILM 100 1/6W 5
R1622	0RD1000F609	R,CARBON FILM 100 1/6W 5
R1627	0RD1004F609	R,CARBON FILM 1.0M 1/6W 5
R1628	0RD1004F609	R,CARBON FILM 1.0M 1/6W 5
R1629	0RD1004F609	R,CARBON FILM 1.0M 1/6W 5
R1630	0RD1004F609	R,CARBON FILM 1.0M 1/6W 5
R1651	0RD2201F609	R,CARBON FILM 2.2K 1/6W 5
R1652	0RD1600F609	R,CARBON FILM 160 1/6W 5
R1653	0RD1600F609	R,CARBON FILM 160 1/6W 5
R1654	0RD2201F609	R,CARBON FILM 2.2K 1/6W 5
R1655	0RD4701F609	R,CARBON FILM 4.7K 1/6W 5
R1656	0RD2201F609	R,CARBON FILM 2.2K 1/6W 5
R1657	0RD0221F609	R,CARBON FILM 2.2 1/6W 5
R1658	0RD0221F609	R,CARBON FILM 2.2 1/6W 5
R1659	0RD2201F609	R,CARBON FILM 2.2K 1/6W 5
R18	0RD3300F609	R,CARBON FILM 330 1/6W 5
R19	0RD1001F609	R,CARBON FILM 1.0K 1/6W 5
R201	0RD0752F609	R,CARBON FILM 75 1/6W 5
R202	0RD1000F609	R,CARBON FILM 100 1/6W 5
R203	0RD0752F609	R,CARBON FILM 75 1/6W 5
R204	0RD0752F609	R,CARBON FILM 75 1/6W 5
R205	0RD1000F609	R,CARBON FILM 100 1/6W 5
R209	0RD1001F609	R,CARBON FILM 1.0K 1/6W 5
R21	0RD1102F609	R,CARBON FILM 11K 1/6W 5
R211	0RD1001F609	R,CARBON FILM 1.0K 1/6W 5
R212	0RD8200F609	R,CARBON FILM 820 1/6W 5
R214	0RD1201F609	R,CARBON FILM 1.2K 1/6W 5
R215	0RD1201F609	R,CARBON FILM 1.2K 1/6W 5
R216	0RD2000F609	R,CARBON FILM 200 1/6W 5
R217	0RD1201F609	R,CARBON FILM 1.2K 1/6W 5
R218	0RD1201F609	R,CARBON FILM 1.2K 1/6W 5
R219	0RD1201F609	R,CARBON FILM 1.2K 1/6W 5
R220	0RD4700F609	R,CARBON FILM 470 1/6W 5
R221	0RD1201F609	R,CARBON FILM 1.2K 1/6W 5
R224	0RD2000F609	R,CARBON FILM 200 1/6W 5
R225	0RD2000F609	R,CARBON FILM 200 1/6W 5
R226	0RD0622F609	R,CARBON FILM 62 1/6W 5
R227	0RD1001F609	R,CARBON FILM 1.0K 1/6W 5
R228	0RD0102F609	R,CARBON FILM 10 1/6W 5
R229	0RD0752F609	R,CARBON FILM 75 1/6W 5
R23	0RD1000F609	R,CARBON FILM 100 1/6W 5
R239	0RD0752F609	R,CARBON FILM 75 1/6W 5
R246	0RD1001F609	R,CARBON FILM 1.0K 1/6W 5
R247	0RD1001F609	R,CARBON FILM 1.0K 1/6W 5
R248	0RD1001F609	R,CARBON FILM 1.0K 1/6W 5
R249	0RD1001F609	R,CARBON FILM 1.0K 1/6W 5
R26	0RD1002F609	R,CARBON FILM 10K 1/6W 5
R28	0RD1001F609	R,CARBON FILM 1.0K 1/6W 5
R281	0RD2001F609	R,CARBON FILM 2.0K 1/6W 5
R282	0RD4700F609	R,CARBON FILM 470 1/6W 5
R284	0RD0752F609	R,CARBON FILM 75 1/6W 5
R285	0RD0752F609	R,CARBON FILM 75 1/6W 5
R286	0RD0332H609	R,CARBON FILM 33 1/2W 5

LOCA. NO	PART NO	DESCRIPTION
R287	0RD0332H609	R,CARBON FILM 33 1/2W 5
R288	0RD0332F609	R,CARBON FILM 33 1/6W 5
R289	0RD0332F609	R,CARBON FILM 33 1/6W 5
R291	0RD1000F609	R,CARBON FILM 100 1/6W 5
R292	0RD1000F609	R,CARBON FILM 100 1/6W 5
R293	0RD1000F609	R,CARBON FILM 100 1/6W 5
R294	0RD1000F609	R,CARBON FILM 100 1/6W 5
R295	0RD1000F609	R,CARBON FILM 100 1/6W 5
R296	0RD1000F609	R,CARBON FILM 100 1/6W 5
R31	0RD4701F609	R,CARBON FILM 4.7K 1/6W 5
R349	0RN0101H609	RESISTOR 1.0 1/2W 5
R350	0RS2701J607	R,METAL FILM OXIDE 2.7K 1W 5%
R351	0RN2701F409	R,METAL FILM 2.7K 1/6W 1%
R352	0RN0121H609	R,METAL FILM 1.2 1/2W 5 *28A60
"	0RN0151H609	R,METAL FILM 1.5 1/2W 5 *28A64
R353	0RD5101F609	R,CARBON FILM 5.1K 1/6W 5
R354	0RN6202F409	R,METAL FILM 62K 1/6W 1%
R355	0RS0102K607	R,METAL FILM OXIDE 10 2W 5%
R356	0RD0221F609	R, CARBON FILM 2.2 1/6W 5
R357	0RD0221F609	R, CARBON FILM 2.2 1/6W 5
R358	0RS2200K607	R,METAL FILM OXIDE 220 2W 5% TA62
R37	0RD1000F609	R,CARBON FILM 100 1/6W 5
R38	0RD1000F609	R,CARBON FILM 100 1/6W 5
R40	0RD1000F609	R,CARBON FILM 100 1/6W 5
R401	0RD1001H609	R,CARBON FILM 1.0K 1/2W 5
R402	0RD3601F609	R,CARBON FILM 3.6K 1/6W 5 *28A60
"	0RD3901F609	R,CARBON FILM 3.9K 1/6W 5 *28A64
R405	0RS2702J607	R,METAL FILM OXIDE 27K 1W 5%
R406	0RD2201H609	R,CARBON FILM 2.2K 1/2W 5
R408	0RD2203H609	R,CARBON FILM 220K 1/2W 5
R410	0RS8201J607	R,METAL FILM OXIDE 8.20K 1W 5%
R411	0RD2001H609	R,CARBON FILM 2.0K 1/2W 5
R451	0RD1000F609	R,CARBON FILM 100 1/6W 5
R452	0RS2700J607	R,METAL FILM OXIDE 270 1W 5%
R453	0RS4701J607	R,METAL FILM OXIDE 4.7K 1W 5%
R454	0RD0472H609	R,CARBON FILM 47 1/2W 5
R456	0RD1201F609	R,CARBON FILM 1.2K 1/6W 5
R457	180-B01E	R,RS RECT S 5W 15K J DOUBLE
$\Delta$ R459	0RS1001J607	R,METAL FILM OXIDE 1K 1W 5%
R46	0RD2401F609	R,CARBON FILM 2.4K 1/6W 5
R47	0RD2401F609	R,CARBON FILM 2.4K 1/6W 5
R48	0RD2401F609	R,CARBON FILM 2.4K 1/6W 5
R49	0RD2401F609	R,CARBON FILM 2.4K 1/6W 5
R502	0RD1000F609	R,CARBON FILM 100 1/6W 5
R503	0RD1000F609	R,CARBON FILM 100 1/6W 5
R509	0RD1000F609	R,CARBON FILM 100 1/6W 5
R510	0RD2200F609	R,CARBON FILM 220 1/6W 5
R511	0RD2200F609	R,CARBON FILM 220 1/6W 5
R512	0RD2200F609	R,CARBON FILM 220 1/6W 5
R516	0RD1000F609	R,CARBON FILM 100 1/6W 5
R518	0RD3001F609	R,CARBON FILM 3.0K 1/6W 5
R519	0RD1200F609	R,CARBON FILM 120 1/6W 5
R52	0RD1000F609	R,CARBON FILM 100 1/6W 5
R521	0RD1003F609	R,CARBON FILM 100K 1/6W 5

The components identified by shading and mark  $\Delta$  are critical for safety.  
Replace only with part number specified.

LOCA. NO	PART NO	DESCRIPTION
R522	0RD3903F609	R,CARBON FILM 390K 1/6W 5
R523	0RD2702F609	R,CARBON FILM 27K 1/6W 5
R524	0RN3902F409	R, METAL FILM 39K 1/6W 1%
R526	0RD1002F609	R,CARBON FILM 10K 1/6W 5
R532	0RD3002F609	R,CARBON FILM 30K 1/6W 5
R54	0RD1000F609	R,CARBON FILM 100 1/6W 5
R541	0RD1500F609	R,CARBON FILM 150 1/6W 5
R545	0RD1202F609	R,CARBON FILM 12K 1/6W 5
R551	0RD4701F609	R,CARBON FILM 4.7K 1/6W 5
R553	0RD0102F609	R,CARBON FILM 10 1/6W 5
R554	0RD0102F609	R,CARBON FILM 10 1/6W 5
R555	0RD0102F609	R,CARBON FILM 10 1/6W 5
R56	0RD1000F609	R,CARBON FILM 100 1/6W 5
R58	0RD1000F609	R,CARBON FILM 100 1/6W 5
R60	0RD1000F609	R,CARBON FILM 100 1/6W 5
R601	0RD0102F609	R,CARBON FILM 10 1/6W 5
R602	0RD1001F609	R,CARBON FILM 1.0K 1/6W 5
R62	0RD1000F609	R,CARBON FILM 100 1/6W 5
R64	0RD1000F609	R,CARBON FILM 100 1/6W 5
R66	0RD1000F609	R,CARBON FILM 100 1/6W 5
R68	0RD1001F609	R,CARBON FILM 1.0K 1/6W 5
R684	0RD6201F609	R,CARBON FILM 6.2K 1/6W 5
R686	0RD6201F609	R,CARBON FILM 6.2K 1/6W 5
R69	0RD6802F609	R,CARBON FILM 68K 1/6W 5
R691	0RF0102H609	R,FUSIBLE 10 1/2W 5
R70	0RD1500F609	R,CARBON FILM 150 1/6W 5
R701	0RD0102F609	R,CARBON FILM 10 1/6W 5
R702	0RD1000F609	R,CARBON FILM 100 1/6W 5
R707	0RD1000F609	R,CARBON FILM 100 1/6W 5
R709	0RD0102F609	R,CARBON FILM 10 1/6W 5
R71	0RD1001F609	R,CARBON FILM 1.0K 1/6W 5
R710	0RD1000F609	R,CARBON FILM 100 1/6W 5
R711	0RD1000F609	R,CARBON FILM 100 1/6W 5
R712	0RD7500F609	R,CARBON FILM 750 1/6W 5
R713	0RD2201F609	R,CARBON FILM 2.2K 1/6W 5 *28A60
"	0RD3001F609	R,CARBON FILM 3.0K 1/6W 5 *28A64
R715	0RD2201F609	R,CARBON FILM 2.2K 1/6W 5 *28A60
"	0RD3001F609	R,CARBON FILM 3.0K 1/6W 5 *28A64
R717	0RD2201F609	R,CARBON FILM 2.2K 1/6W 5 *28A60
"	0RD3001F609	R,CARBON FILM 3.0K 1/6W 5 *28A64
R720	0RD0102F609	R,CARBON FILM 10 1/6W 5
R723	0RD1002F609	R,CARBON FILM 10K 1/6W 5
R724	0RD1503F609	R,CARBON FILM 150K 1/6W 5
R725	0RD0102F609	R,CARBON FILM 10 1/6W 5
R73	0RD1000F609	R,CARBON FILM 100 1/6W 5
R801	180-A03J	R,RW RECT G 10W 2.2 J DOUBLE
R803	180-C02L	R,CARBON COMPOSIT 0.47MOHM 1/2 W 10%
R804	0RD1000H609	R,CARBON FILM 100 1/2W 5
R805	0RS2202K607	R,METAL FILM OXIDE 22K 2W 5%
R806	0RS2202K607	R,METAL FILM OXIDE 22K 2W 5%
R807	180-A01D	R,RW ROUND G 2W 0.16 J
R808	0RS0202K607	R,METAL FILM OXIDE 20 2W 5%

LOCA. NO	PART NO	DESCRIPTION
R809	0RN0910H609	R,METAL FILM 0.91 1/2W 5
R810	0RS0152K607	R,METAL FILM OXIDE 15 2W 5%
R811	0RD1502H609	R,CARBON FILM 15K 1/2W 5
R812	0RD6801H609	R,CARBON FILM 6.8K 1/2W 5
R813	0RD2001F609	R,CARBON FILM 2.0K 1/6W 5
R814	0RD1001F609	R,CARBON FILM 1.0K 1/6W 5
R815	0RN0910H609	R,METAL FILM 0.91 1/2W 5
R816	0RD5100F609	R,CARBON FILM 510 1/6W 5
R817	0RD5100F609	R,CARBON FILM 510 1/6W 5
R827	0RD2001F609	R,CARBON FILM 2.0K 1/6W 5
R828	0RD7501F609	R,CARBON FILM 7.5K 1/6W 5
R829	0RD3301F609	R,CARBON FILM 3.3K 1/6W 5 *28A60
"	0RD4301F609	R,CARBON FILM 4.3K 1/6W 5 *28A64
R831	0RD1502H609	R,CARBON FILM 15K 1/2W 5
R832	0RD1002F609	R,CARBON FILM 10K 1/6W 5
R837	180-C02H	R,CARBON COMPOSIT 1/2W 8.2M K
R851	0RD4702F609	R,CARBON FILM 47K 1/6W 5
R852	0RD2401F609	R,CARBON FILM 2.4K 1/6W 5
R853	0RD4701F609	R,CARBON FILM 4.7K 1/6W 5
R855	0RD1001F609	R,CARBON FILM 1.0K 1/6W 5
R901	0RD1000F609	R,CARBON FILM 100 1/6W 5
R902	0RD1201F609	R,CARBON FILM 1.2K 1/6W 5
R903	0RD1001F609	R,CARBON FILM 1.0K 1/6W 5
R904	0RD0562F609	R,CARBON FILM 56 1/6W 5
R905	0RD2000F609	R,CARBON FILM 200 1/6W 5
R908	0RD2003H609	R,CARBON FILM 200K 1/2W 5
R921	0RD1000F609	R,CARBON FILM 100 1/6W 5
R922	0RD0102F609	R,CARBON FILM 10 1/6W 5
R923	0RD1200F609	R,CARBON FILM 120 1/6W 5
R924	0RD7502F609	R,CARBON FILM 75K 1/6W 5
R925	0RS1001H609	R,METAL FILM OXIDE 1.0K 1/2W 5
R926	0RS6801L667	R,METAL FILM OXIDE 6.8K 3W 5
R928	0RS2200H609	R,METAL FILM OXIDE 220 1/2W 5
R941	0RD1000F609	R,CARBON FILM 100 1/6W 5
R942	0RD0102F609	R,CARBON FILM 10 1/6W 5
R943	0RD1200F609	R,CARBON FILM 120 1/6W 5
R944	0RD9102F609	R,CARBON FILM 91K 1/6W 5
R945	0RS1001H609	R,METAL FILM OXIDE 1.0K 1/2W 5
R946	0RS6801L667	R,METAL FILM OXIDE 6.8K 3W 5
R948	0RS2200H609	R,METAL FILM OXIDE 220 1/2W 5
R950	0RD2204H609	R,CARBON FILM 2.2M 1/2W 5
R961	0RD1000F609	R,CARBON FILM 100 1/6W 5
R962	0RD0102F609	R,CARBON FILM 10 1/6W 5
R963	0RD1200F609	R,CARBON FILM 120 1/6W 5
R964	0RD1003F609	R,CARBON FILM 100K 1/6W 5
R965	0RS1001H609	R,METAL FILM OXIDE 1.0K 1/2W 5
R966	0RS6801L667	R,METAL FILM OXIDE 6.8K 3W 5
R968	0RS2200H609	R,METAL FILM OXIDE 220 1/2W 5
VR101	180-F03H	R,SEMI-FIX(H) EVN-DJAA03 B103
VR102	180-F03J	R,SEMI-FIX(H) EVN-DJAA03 B203
<b>SWITCH</b>		
SW01	140-315A	SWITCH,TACT VERT

The components identified by shading and mark Δ are critical for safety. Replace only with part number specified.

LOCA. NO	PART NO	DESCRIPTION
SW02	140-315A	SWITCH,TACT VERT
SW03	140-315A	SWITCH,TACT VERT
SW04	140-315A	SWITCH,TACT VERT
SW05	140-315A	SWITCH,TACT VERT
SW06	140-315A	SWITCH,TACT VERT
Δ SW801	140-289A	SWITCH,SDDF3PASP013(GS-ALPS) TV8
<b>CRYSTAL &amp; FILTER</b>		
X01	156-A01P	CRYSTAL,8.000000 16PF 40 OHM BULK
X501	156-001B	CRYSTAL,4.433619MHZ(00384)PHILIPS
X502	156-A01B	CRYSTAL,3.579545 16PF 90 OHM
X601	156-A02M	CRYSTAL,18.432000 10PF 20 OHM BULK
X701	156-A02D	CRYSTAL,13.875000 16PF 30 OHM BULK
Z101	166-250C	FILTER,OFWG3962M
Z102	166-A01B	FILTER,OFWK3953M
Z103	166-A01T	FILTER,OFWK9354M
Z104	166-A01U	FILTER(CIRC),SAW OFWL9454M
Z108	166-274A	FILTER(CIRC),MKT40MA100P
Z109	166-F01G	FILTER,EMI,DSS306-93FZ103N 100V TA
Z110	166-F01G	FILTER,EMI,DSS306-93FZ103N 100V TA
Z111	166-F01G	FILTER,EMI,DSS306-93FZ103N 100V TA
Z112	166-C04B	FILTER,TRAP TPWA03B-TF21(5.5/6.0)
Z113	166-F01D	FILTER,EMI,DS306-93 Y5S 271M 50V TA
<b>MISCELLANEOUS</b>		
Δ	112-D28B	CPT,A66EAK552*21(PHILIPS,DARK)28"
Δ FR801	131-096E	FUSE,MICRO 125V 4.0A
Δ F801A	131-098B	FUSE,4A/250V HBC TIME DELAY 5X20
P265	106-048A	PRE-AMP,SBX-1677-02(38.0KHZ)
Δ P801A	174-322E	CORD,POWER W/FILTER L=400(179B)
RL802	141-038A	RELAY,HR-CR7 DC12VG(8.4VMAX)
Δ RL851	141-018F	RELAY,DG5D1-0(M)-2 5V106MA
SG901	165-004A	SPARK GAP,AG20PT 152F-L3N/S-23
SG921	165-004A	SPARK GAP,AG20PT 152F-L3N/S-23
SK101	381-242A	SOCKET,SCART 21-PIN X 2
SK901	381-226D	SOCKET,CPT PCS628-01S/LESS BULK(NO5)
Δ TH801	163-054A	THERMISTOR,J502P53D140M290S
TU02	113-234B	TUNER,TUKE9C07DF
ZN801	164-003D	VARISTOR,SVC 561D-14A
<b>ACCESSORIES</b>		
A1	3828VA0111B	MANUAL,PC73A,GS,F,007TX
A1	3828VA0111C	MANUAL,PC73A,LG,E,007TX
A1	3828VA0111G	MANUAL,PC73A,LG,NO+SW
A2	6710V00007C	REMOTE CONTROLLER,PC-73A LG
A2	6710V00007G	REMOTE CONTROLLER,W/TXT G/S

LOCA. NO	PART NO	DESCRIPTION